



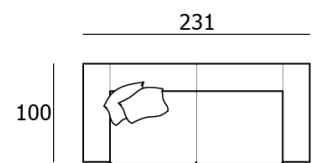
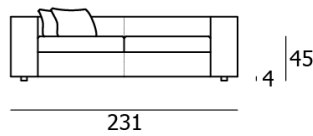
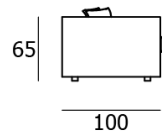
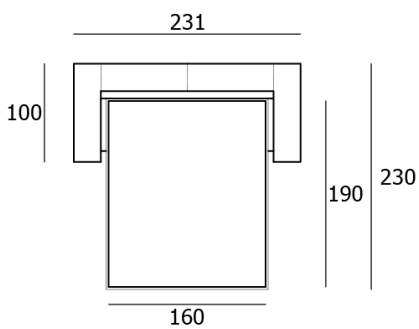
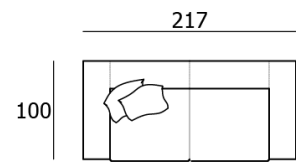
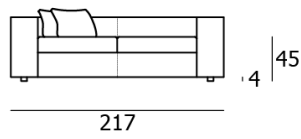
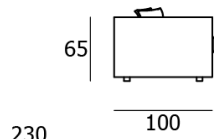
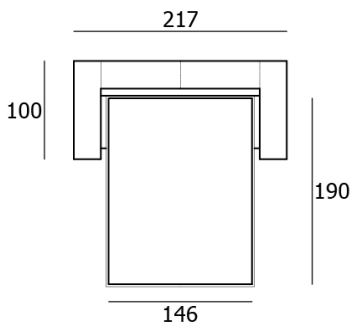
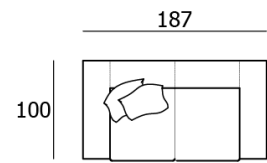
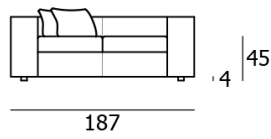
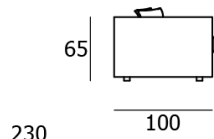
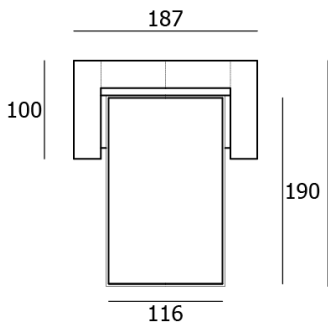
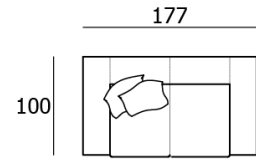
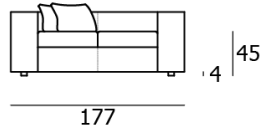
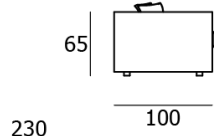
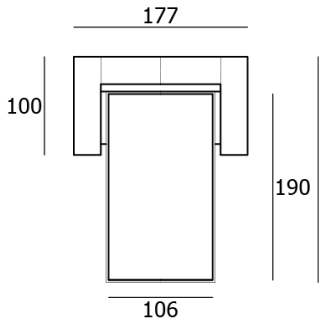
Wall Sofa Bed

design Piero Lissoni

Sofa bed with frame in double-panelled poplar and pine. Padding in differentiated density polyurethane foam. Covering in needle punched, resinated, nonwoven polyester fibre, bonded onto a polyamide velveteen backing. Seat cushion padded with differentiated density polyurethane foam structure, covered with acrylic fibre layers. Black lacquered steel feet. Fabric or leather upholstery. The fabric version only is fully removable by Velcro fastenings. On request, the armrests can be narrowed up to 7cm thickness. Electro-welded orthopedic base, high tensile steel frame with stove epoxy powder coating finish. Steel spring mattress with 100% cotton cover. Seat depth 74cm.



Wall Sofa Bed
design Piero Lissoni



Cushion

