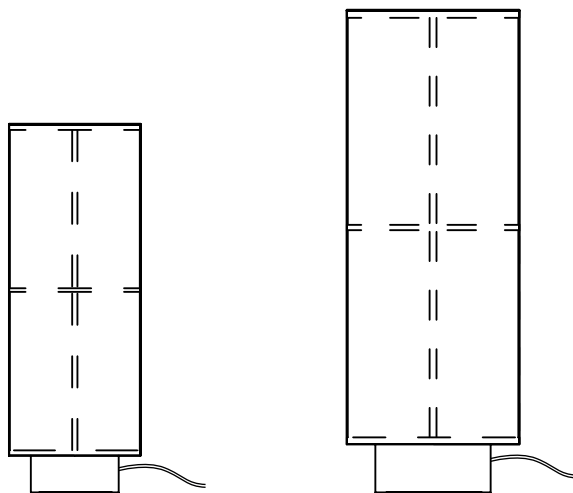
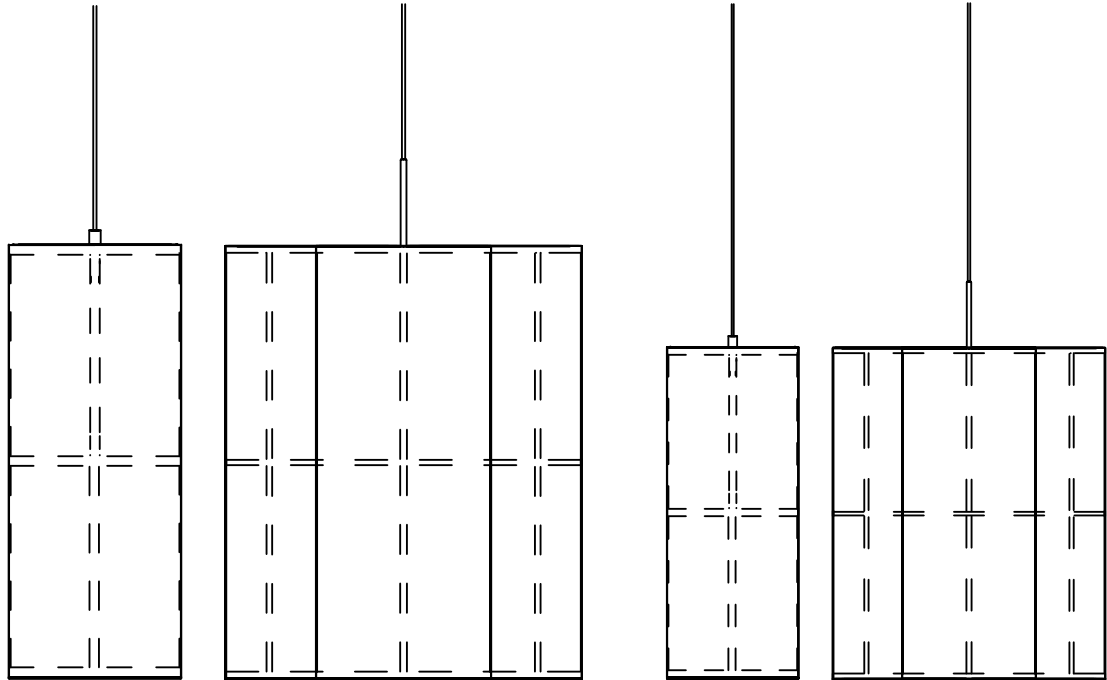


Hashira Lamp, Series by Norm Architects



MENU

Congratulations:

Congratulations on your new lamp designed by Jonas Wagell. We hope you will enjoy using this lamp and follow these instructions to ensure correct installation. These instructions are provided for your safety. It is important that the instructions are read carefully and completely before assembling.

This A/I cover below items:

1 pc Hashira Floor Lamp

Linen and PS shade, Ash wood base, 3 m black textile PVC cable with dimmer, 2 pcs E27 lamp holder (bulbs not included)

1 pc Hashira Table Lamp

Linen and PS shade, Ash wood base, 2 m black textile PVC cable with dimmer, 1 pcs E27 lamp holder (bulb not included)

1 pc Hashira Small Pendant

Linen and PS shade, 5 m black textile PVC cable, plastic Canopy, 1 pcs E27 lamp holder (bulb not included)

1 pc Hashira Large Pendant

Linen and PS shade, 5 m black textile PVC cable, with safe wire, plastic Canopy, 2 pcs E27 lamp holder (bulbs not included)

1 pc Hashira Cluster

Small, Linen and PS shade, 5 m black textile PVC cable, with safe wire, plastic Canopy, 3 pcs E27 lamp holder (bulbs not included)

1 pc Hashira Cluster

Large, Linen and PS shade, 5 m black textile PVC cable, with safe wire, plastic Canopy, 6 pcs E27 lamp holder (bulbs not included)

Choosing the right bulb and wattage:

Menu A/S recommend to use Opal coloured LED bulbs for two important reasons: one is to allow for soft and even light emittance, and the other is, to minimize UV emittance and heat production thereby maintaining the colour fastness of the shade material.

We recommend to use LED bulbs with max 6 Watt per bulb.

Environmental Guidelines:

Menu A/S have chosen to use Polystyrene (PS) material to replace PVC material. The PS material is not as UV and heat resistant as PVC, but when LED bulbs are used the effect of UV emittance and heating levels will be minimized.

Furthermore please note that if incandescent or halogen bulbs are used, the stronger UV emittance and heat can influence the original appearance of the PS shade by starting a yellowing process which cannot be reversed.

The Lamp Range is tested according to:

Table lamp: EN 60598-2-4,

Ceiling/Pendant lamp: EN 60598-2-1

The lamp conforms to IP20.

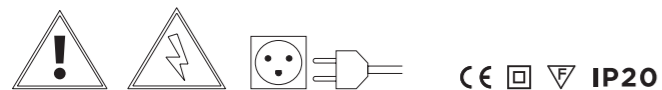
Please check the specific rules for electrical installation work in your country.

Some countries may require an authorised electrical contractor.

IMPORTANT

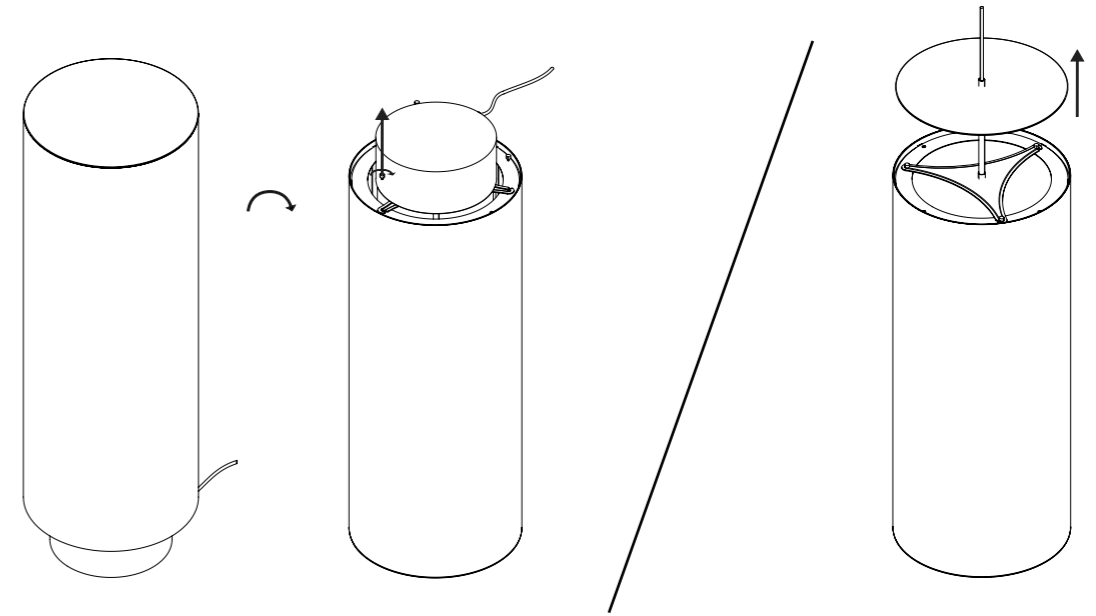
If you have any problems regarding the electrical installation, contact a certified electrician. Always shut off power to the circuit before starting installation work. The external flexible cable or cord of this luminaire cannot be replaced. If the cord is damaged, the luminaire shall be destroyed.

CAUTION - RISK OF ELECTRIC SHOCK. DO NOT USE IF OUTER LAMP ENVELOPE IS DAMAGED OR BROKEN.

**Correct Disposal of this product**

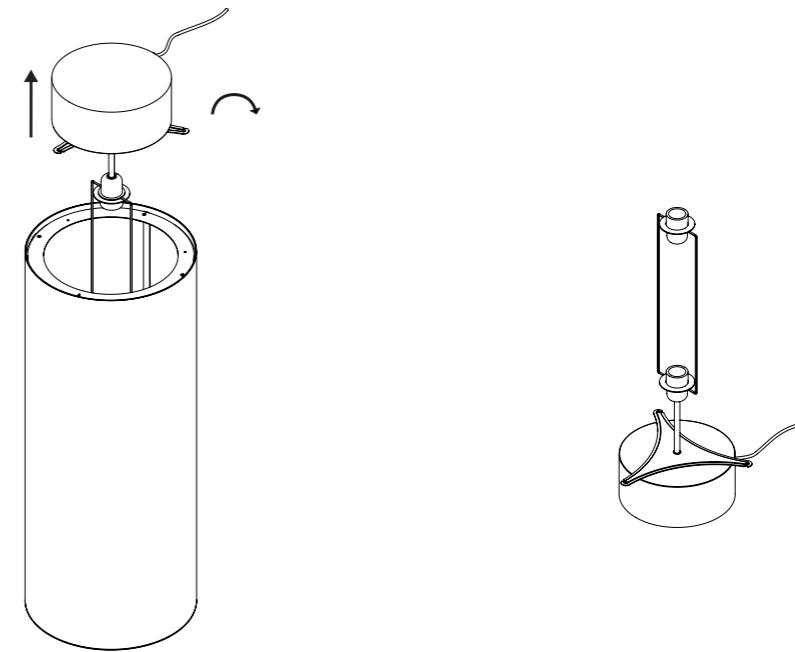
This marking indicates that this product should not be disposed with other household wastes throughout the US. To prevent possible harm to the environment or human health from uncontrolled waste disposal, recycle it responsibly to promote the sustainable reuse of material resources. To return your device, please use the return and collection system or contact the retailer where the product was purchased. They can take this product to environmentally safe recycling.

1 Change bulb (Hashira Floor Lamp, Hashira Table Lamp and Hashira Pendant, Small / Large)

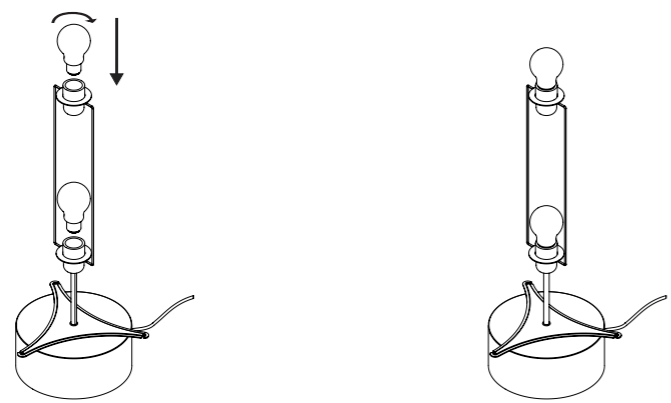


NOTE - Please ensure that all assembly is done on a soft surface, to avoid damaged/scratched.

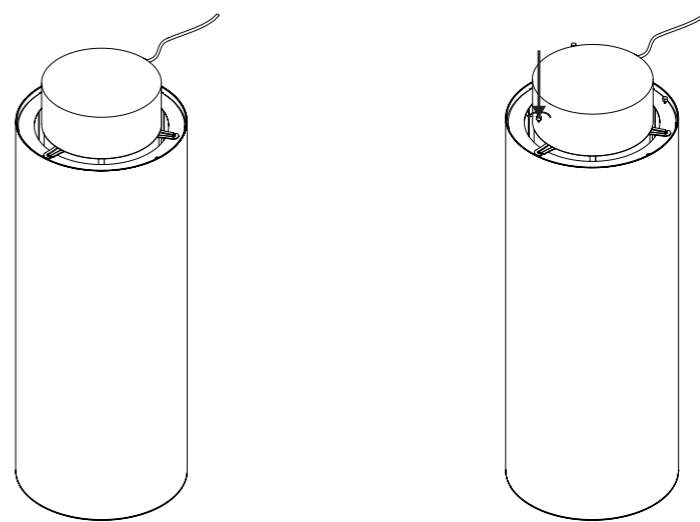
2



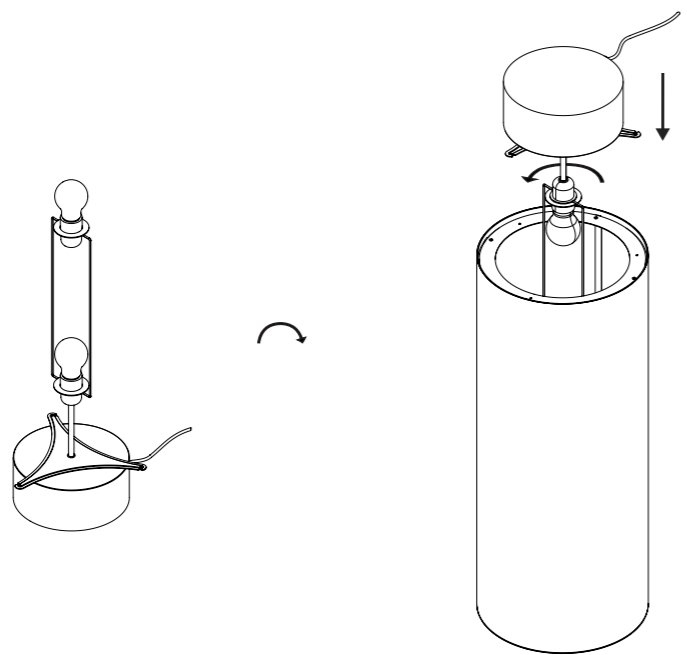
3



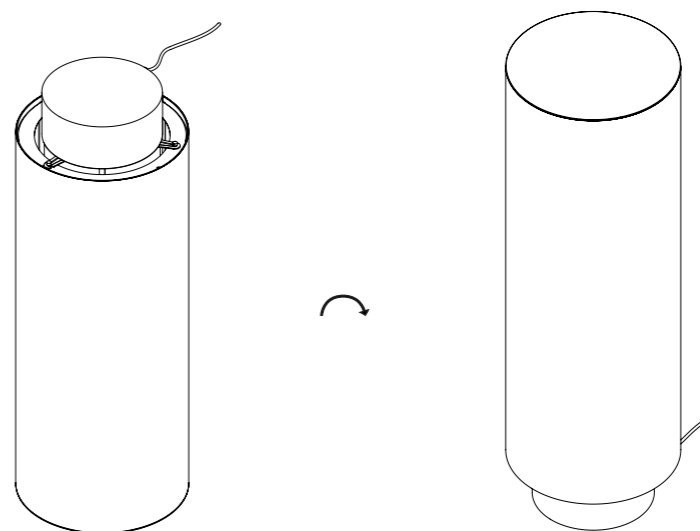
5



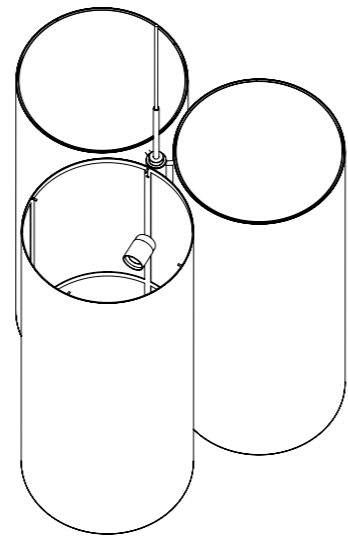
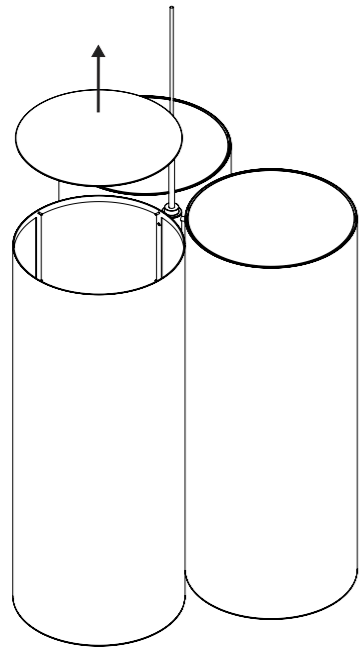
4



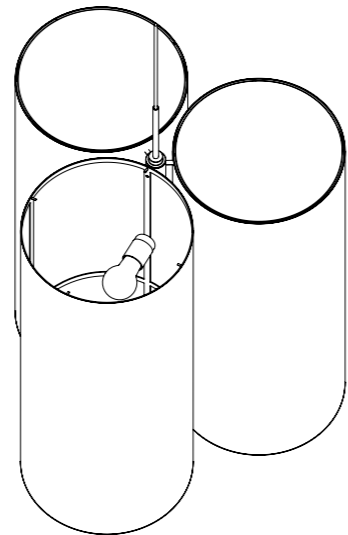
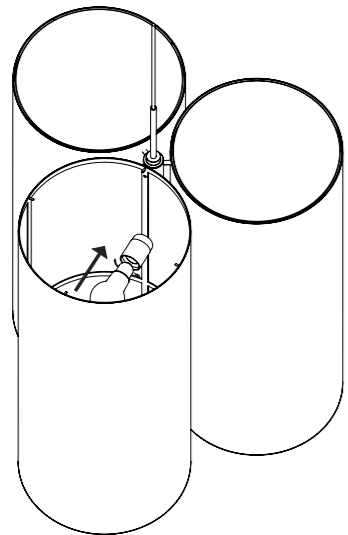
6



1 Change bulb (Hashira Pendant, Cluster, Small / Large)

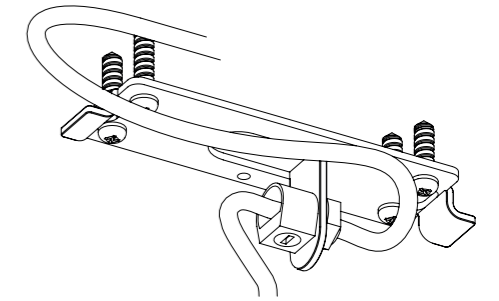
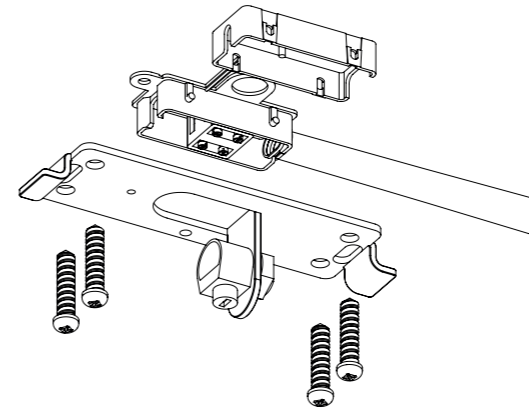


2

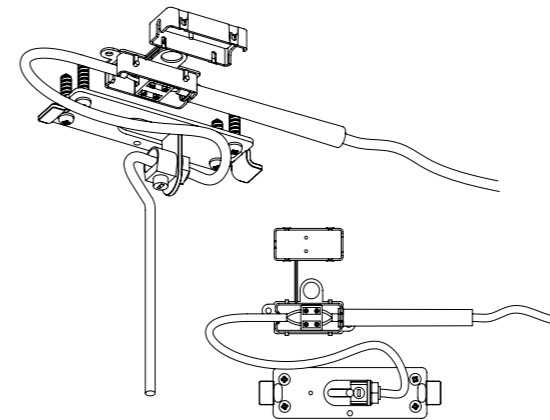


1 Installation (Hashira Pendant, Small)

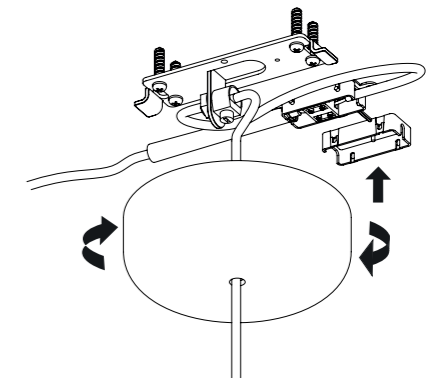
2



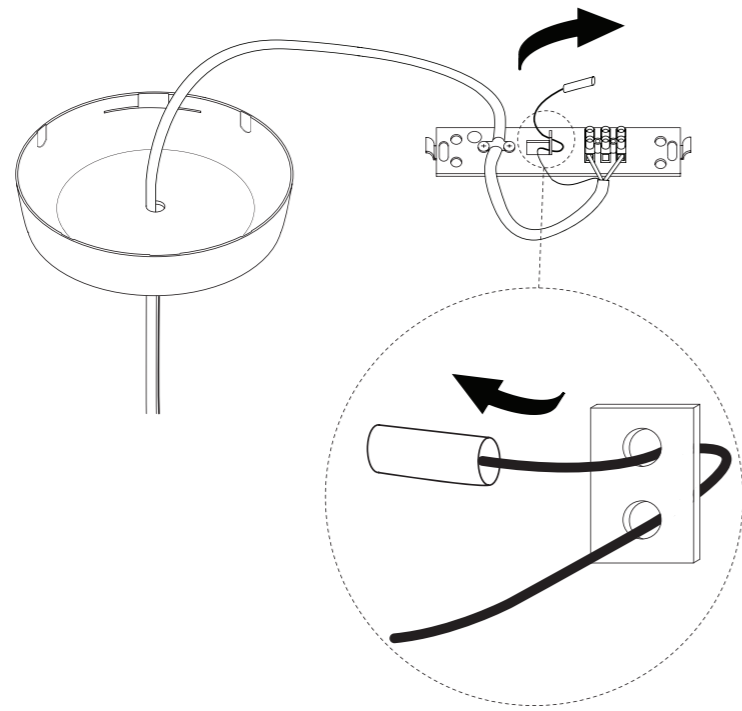
3



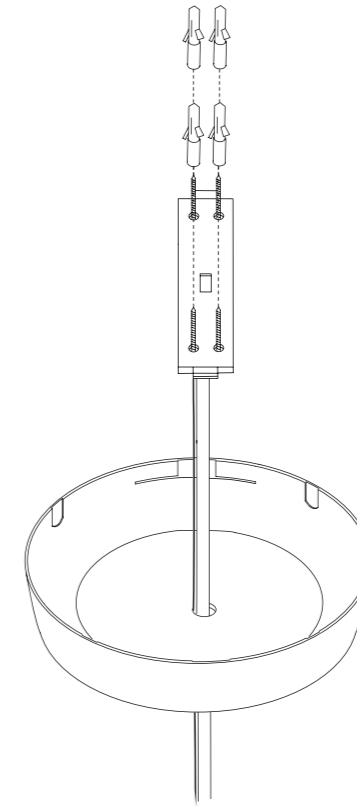
4



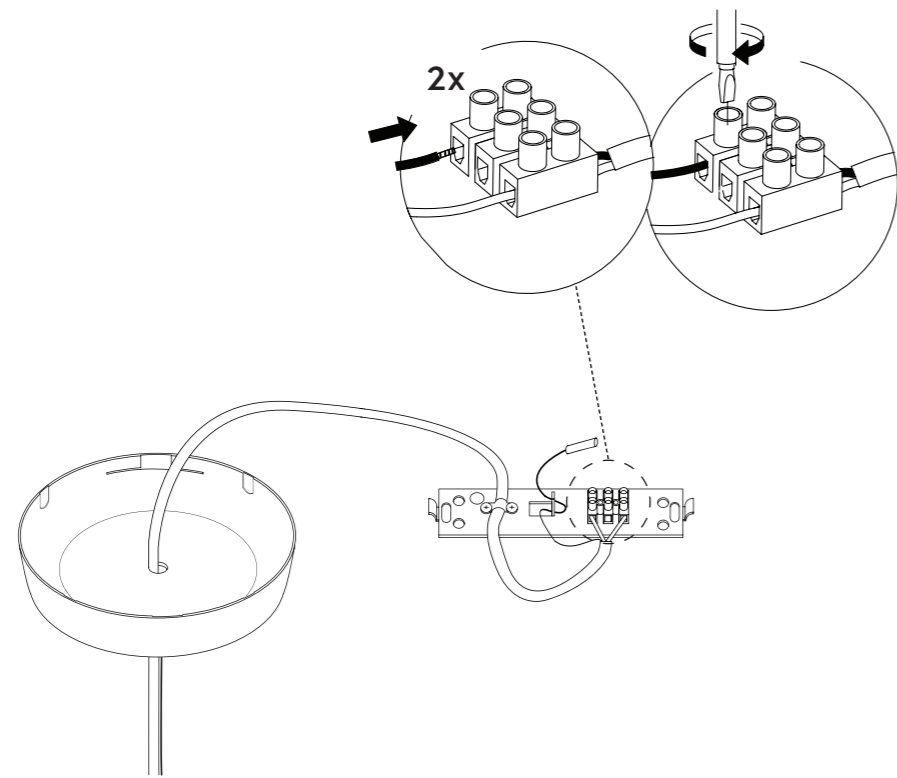
1 Installation (Hashira Pendant, Large & Hashira Pendant, Cluster, Large / Small)



3



2



4

