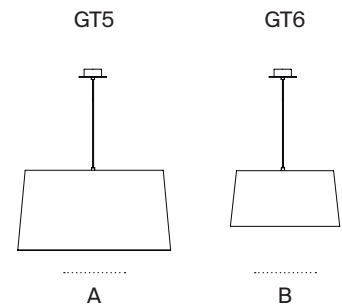


GT5 / GT6

Santa & Cole Team. 1994
Pendant lamp



Conceived for average-size settings and areas in the home, GT5 and GT6 are two ribbon pendant shades that are capable of lending character to any venue by dint of merely being there.

Ever since the early 1990s, Santa & Cole has championed the use of ribbon shades to embellish all manner of light sources, exploring textiles and experimenting with colours and tones (they even enlisted the help of Raw Color studio). The GT5 was the first in the collection arising as an alternative to the use of continuous textile, methacrylate and cardboard shades. It was followed by the GT6 and, later on, the larger GT7, GT1000 and GT1500, designed for use in public venues owing to their large dimensions. This is a colourful family that is able to change its scale without losing its essence.

General description:

2 lampshade options: GT5 / GT6.

Circular metallic canopy satin nickel or textured white, black finished for a double or simple lamp socket.

Suitable for side entry adaptor.

Lower disk in translucent white PVC:








(A) GT5: Ø 40cm / 15.7"

(B) GT6: Ø 36cm / 14.2"

Suitable for Junction Box Ø 11,7 cm / 4.6" (UL market).

Electric cable length: 3 m / 118.1"

Available colours:

 GT5, GT6 Natural ribbon	 GT5, GT6 Red-amber ribbon	 GT5, GT6 Black ribbon	
 GT5, GT6 Terracotta Raw Color	 GT5, GT6 Mustard Raw Color ribbon	 GT5, GT6 Green Raw Color ribbon	 GT6 White linen

Light source:

Recommended light sources:

1 x / 2 x LED bulb 10 W

Other light sources: Máx. 100 W

E27 - E26

(Max. hgt. 130 mm / 5.1")

Light source not included.

Compatible with bulbs of the Energy efficiency class (E.E.C): A++ ... E.

Suitable only for indoor use.

Always use the light source recommended or equivalent.

Input voltaje: 100, 120, 230 Vac.

(50 Hz / 60 Hz). According to destination

GT5 / GT6

Santa & Cole Team. 1994
Pendant lamp

Approximate weight (unpacked):

6,2 kg / 13.6 lb

Regulations:

CE
UNE-EN 60598
UNE-EN 55015
UNE-EN 60529

UL

Dry location only
UL-1598
E-353545

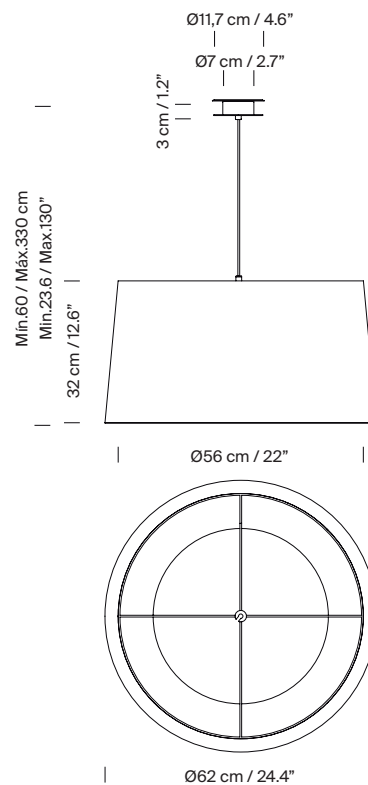
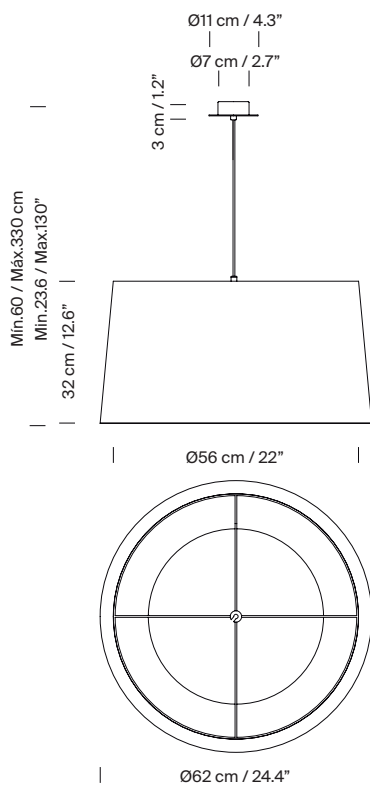
Maintenance:

Clean with a smooth cloth. Do not use ammonia, solvents or abrasive cleaning products.

Others:

The lamp is delivered in different packages.
The assembly instructions are delivered with the product.

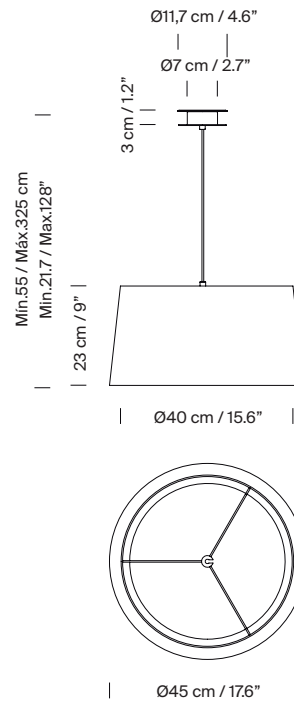
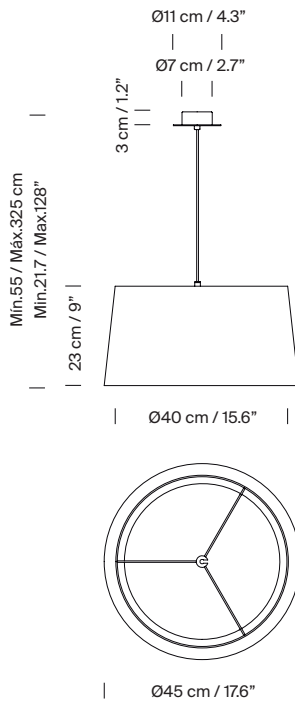
Model A: GT5 (sizes in cm)



GT5 / GT6

Santa & Cole Team. 1994
Pendant lamp

Model B: GT6 (sizes in cm)



Collection:

Table lamps



Tripode G6 / M3

Floor lamps



Tripode G5

Pendant lamps



GT5 / GT6



GT7

Wall lamps



GT1000 / GT1500

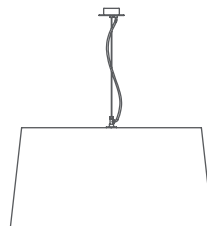


Comodín

GT7

Santa & Cole Team, 2000

Hanging lamp



The ribbon structure filters a richly nuanced light. The lamp also has an attractive ornamental presence when not in use.

GENERAL DESCRIPTION

Natural, red-amber or black ribbon lampshade and terracotta, mustard or green Raw Color ribbon:
upper \varnothing 80 cm / 31.5" x lower \varnothing 90 cm / 35.4" x h. 44 cm / 17.3".
Black metal disc on the upper part: \varnothing 40 cm / 15.6" and translucent white diffuser disc on the lower part: \varnothing 60 cm / 23.7".
Black metallic circular or satin nickel ceiling plate.

White electrical structure with black cable.
Suitable for Outlet Box (UL Market).
Electric cable length: 8 m / 312".

LIGHT SOURCE

Recommended light sources:
3x LED Bulb: 17 W
3x Compact fluorescent : 11 W
3x Incandescent: Max. 60 W

E27 - E26 (Max. Hgt 130 mm / 5.1")

Light source not included.
Compatible with bulbs of the Energy efficiency class (E.E.C):
A++... E.
Lamp suitable only for indoor use.
Always use the light source recommended or equivalent.

Input voltage: 100, 120, 230 VAC
(50 Hz / 60 Hz) According to destination.

APPROXIMATE WEIGHT (without package)

7 Kg / 15 lb

REGULATIONS

CE



IP 20

UNE-EN 60598

UNE-EN 55015

UNE-EN 60529



Non-class 2

Dry location only

UL-1598

E-353545

MANTENANCE

Clean with a smooth cloth. Do not use ammonia, solvents or abrasive cleaning products.

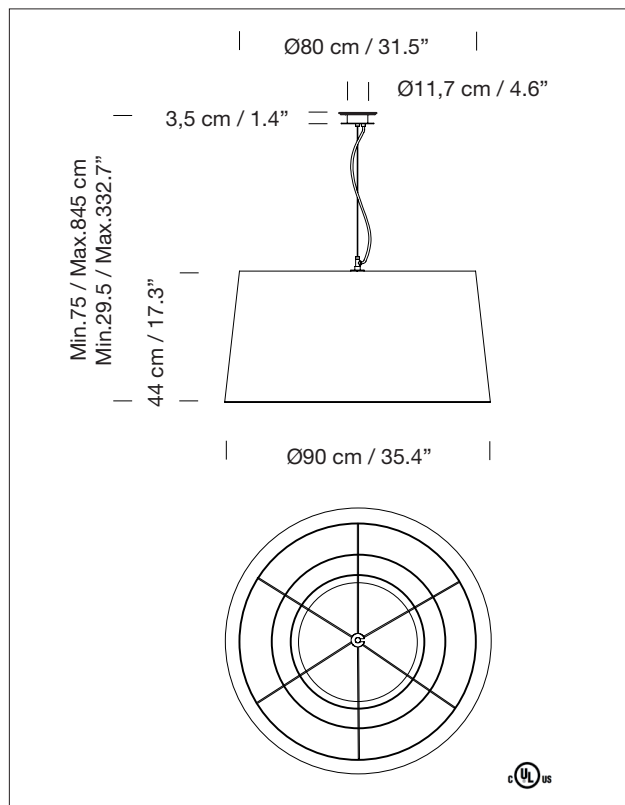
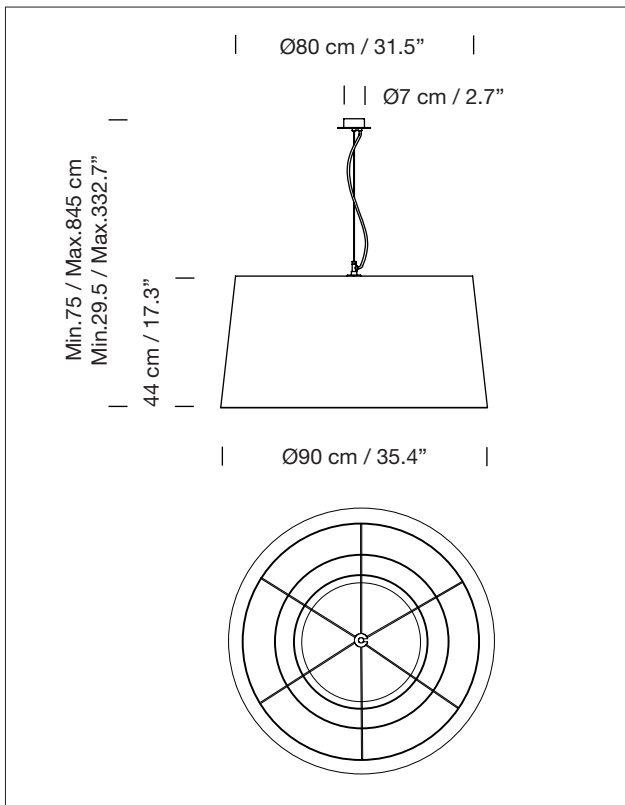
OTHERS

The lamp is delivered in different packages.

The assembly instructions are delivered with the product.



MODELS



Collection

Table lamps



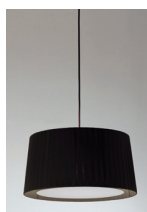
Tripode M3 / G6

Floor lamps



Tripode G5

Hanging lamps



GT5



GT6



GT1000 / GT1500