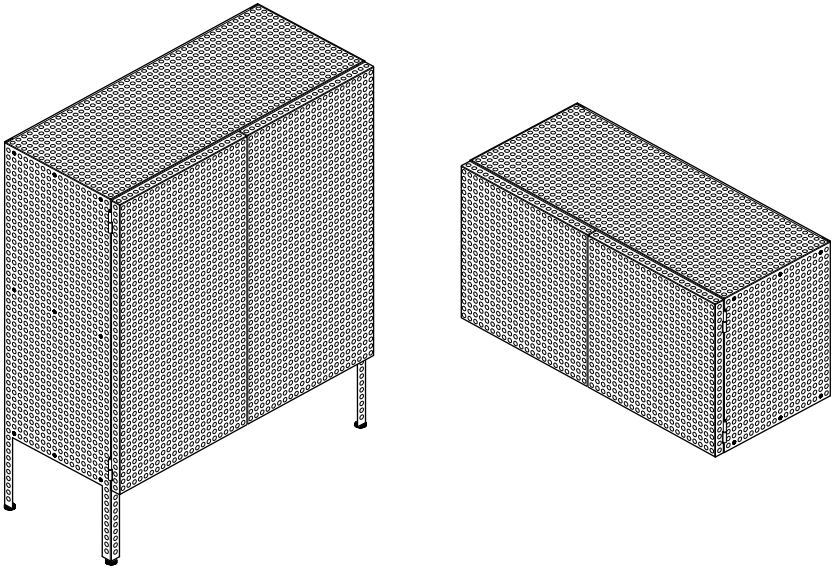


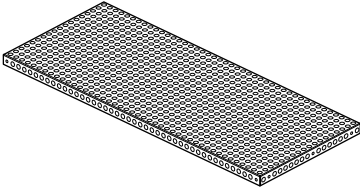
PERFORATED CABINET



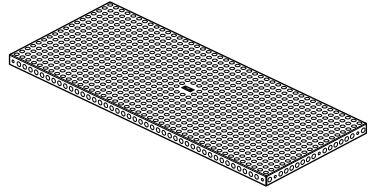
DESIGN BY MULLER VAN SEVEREN

HAY

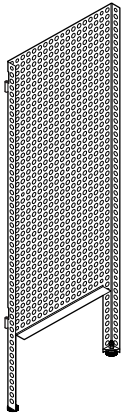
- PARTS -



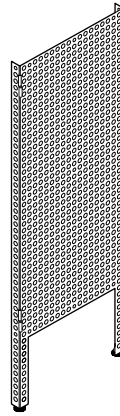
A Top / Middle shelves



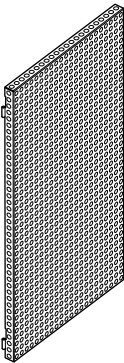
B Bottom shelf



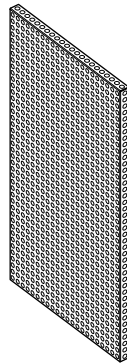
C Left side panel



D Right side panel

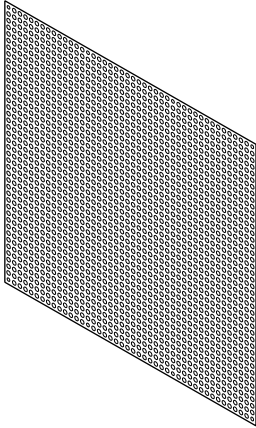


E Left door



F Right door

- PARTS -



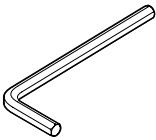
G Back panel



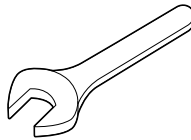
H Bolts



I Nuts



J Allen key



K Wrench



L Backpanel washers



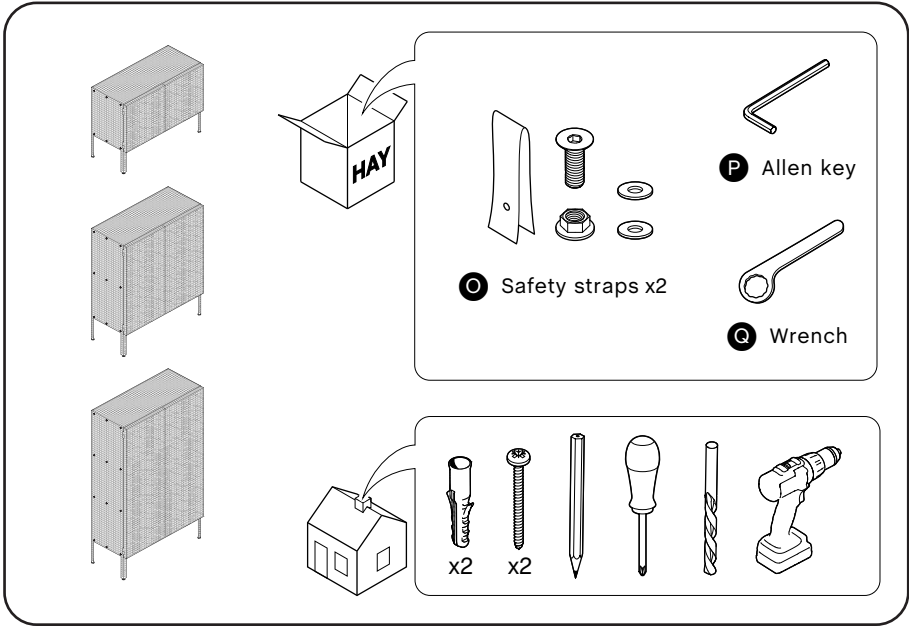
M Hinge washers



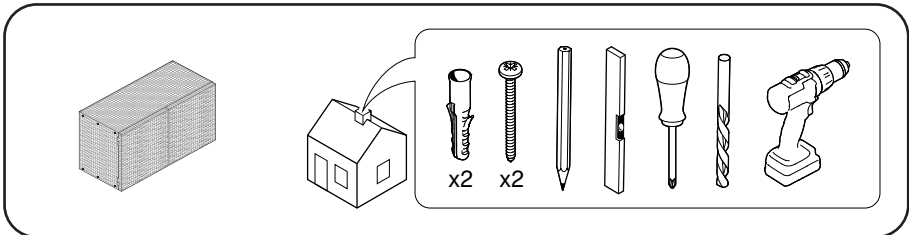
N Hinge pins

- PARTS -

- ONLY FOR FLOOR STANDING CABINETS -



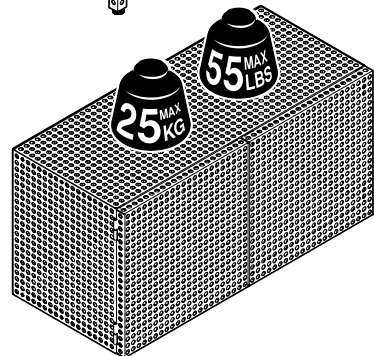
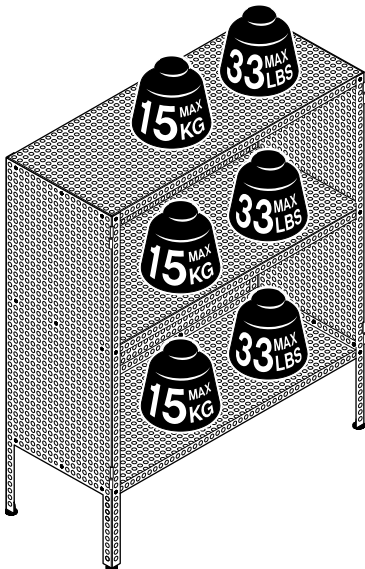
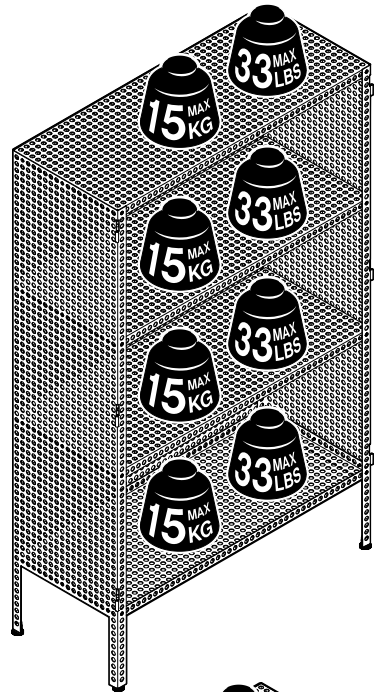
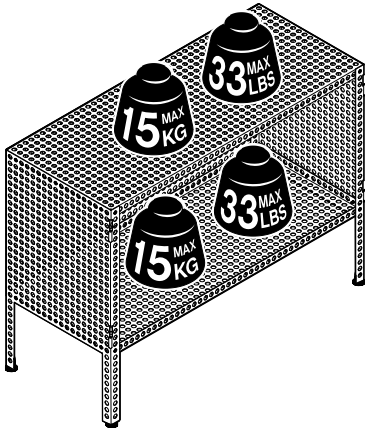
- ONLY FOR WALL HANGING CABINETS -



- WARNING -

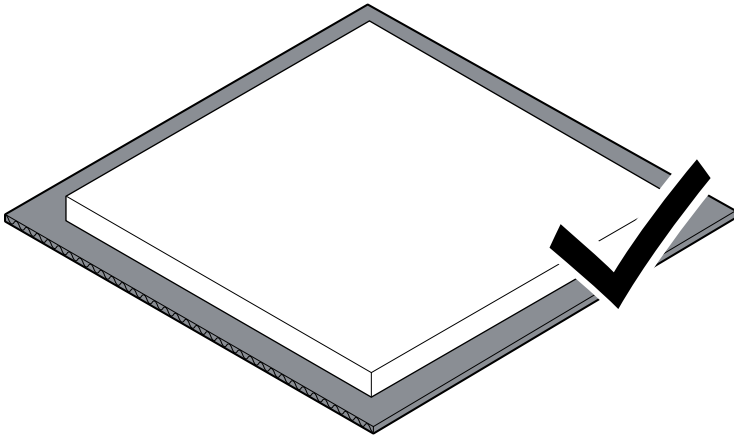
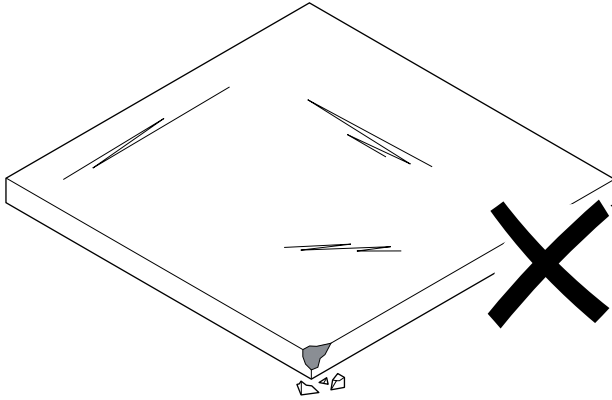


Maximum weight when properly installed hanging on a wall or standing on a floor.
The maximum weight indication on the wall hanging cabinets depends on the strength of the wall material. Please consult a professional if you are unsure.
The load has to be evenly distributed.

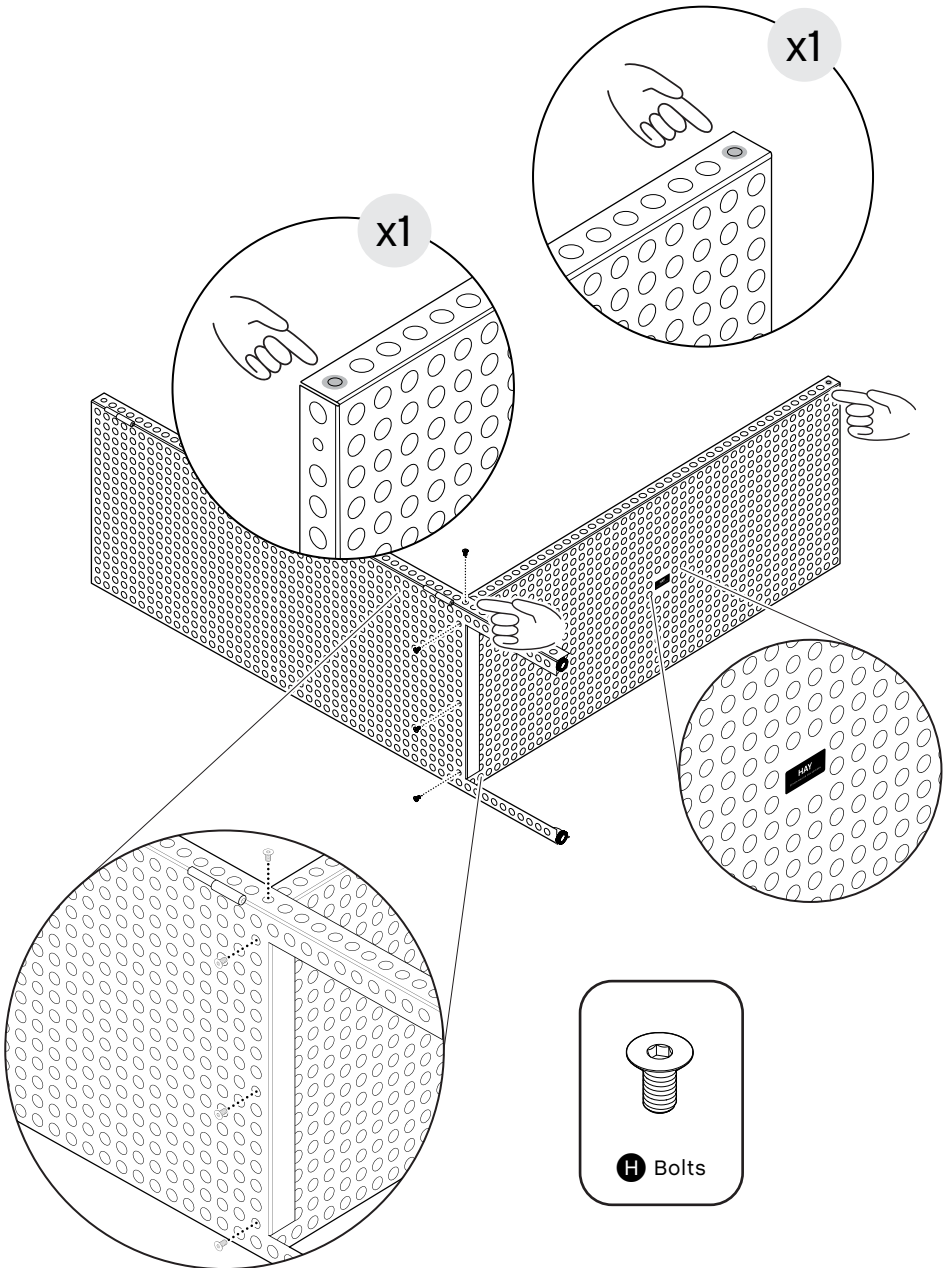


- WARNING -

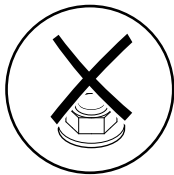
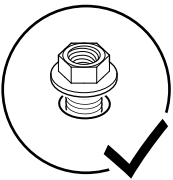
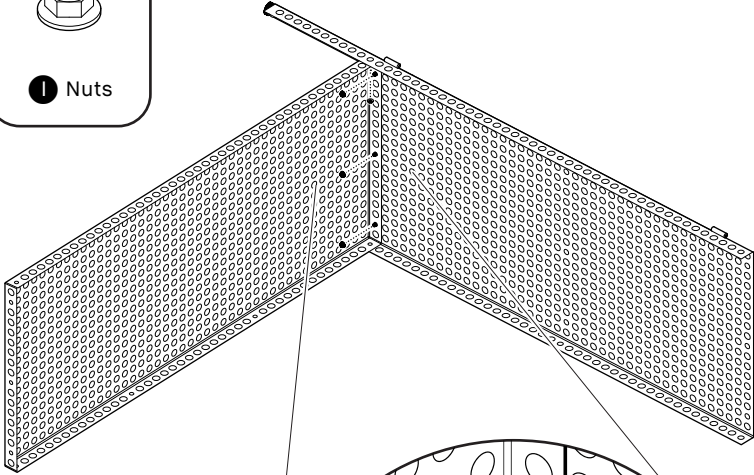
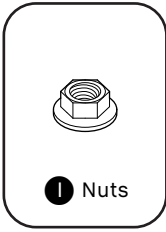
Protect the product from scratches and other damage while assembling by using the packaging material as an underlay.



1.

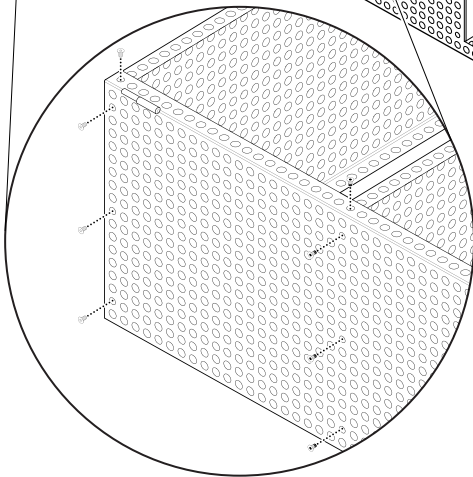
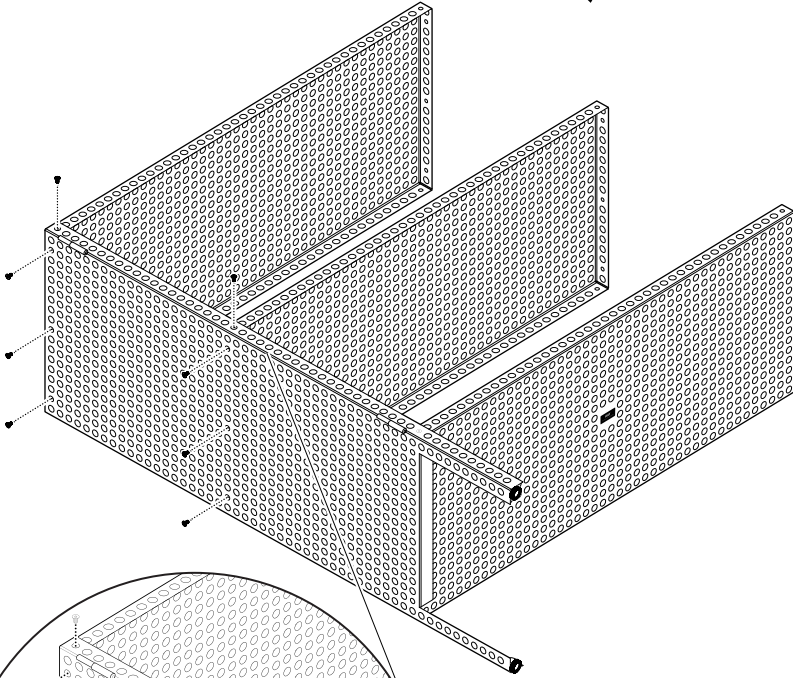
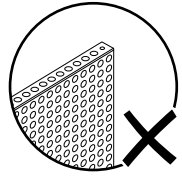
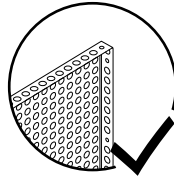


2.

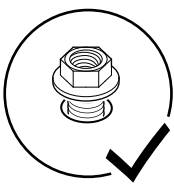
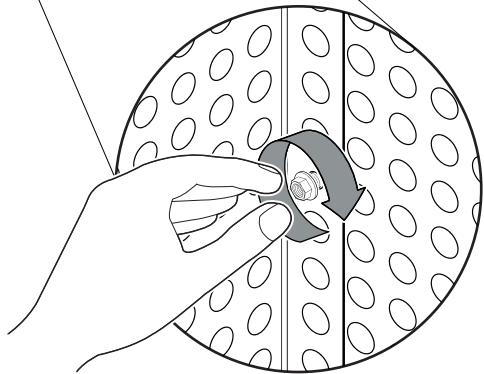
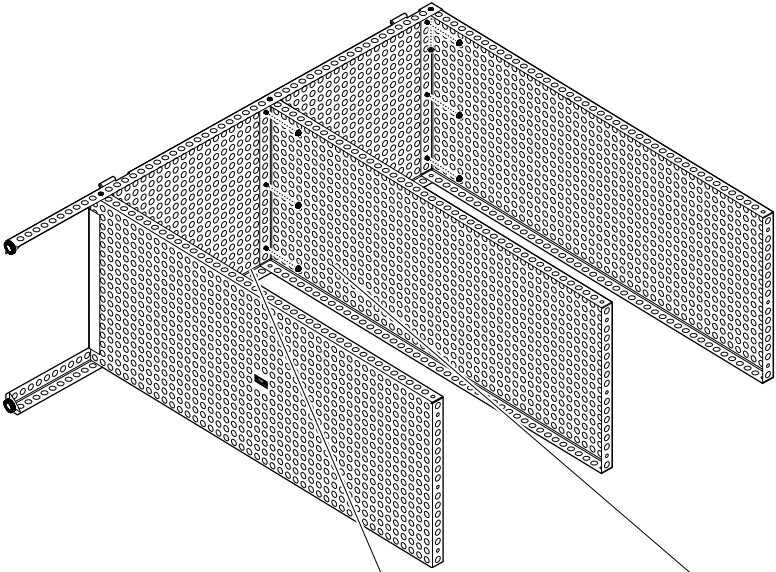


Do not fully tighten
the screws.

3.

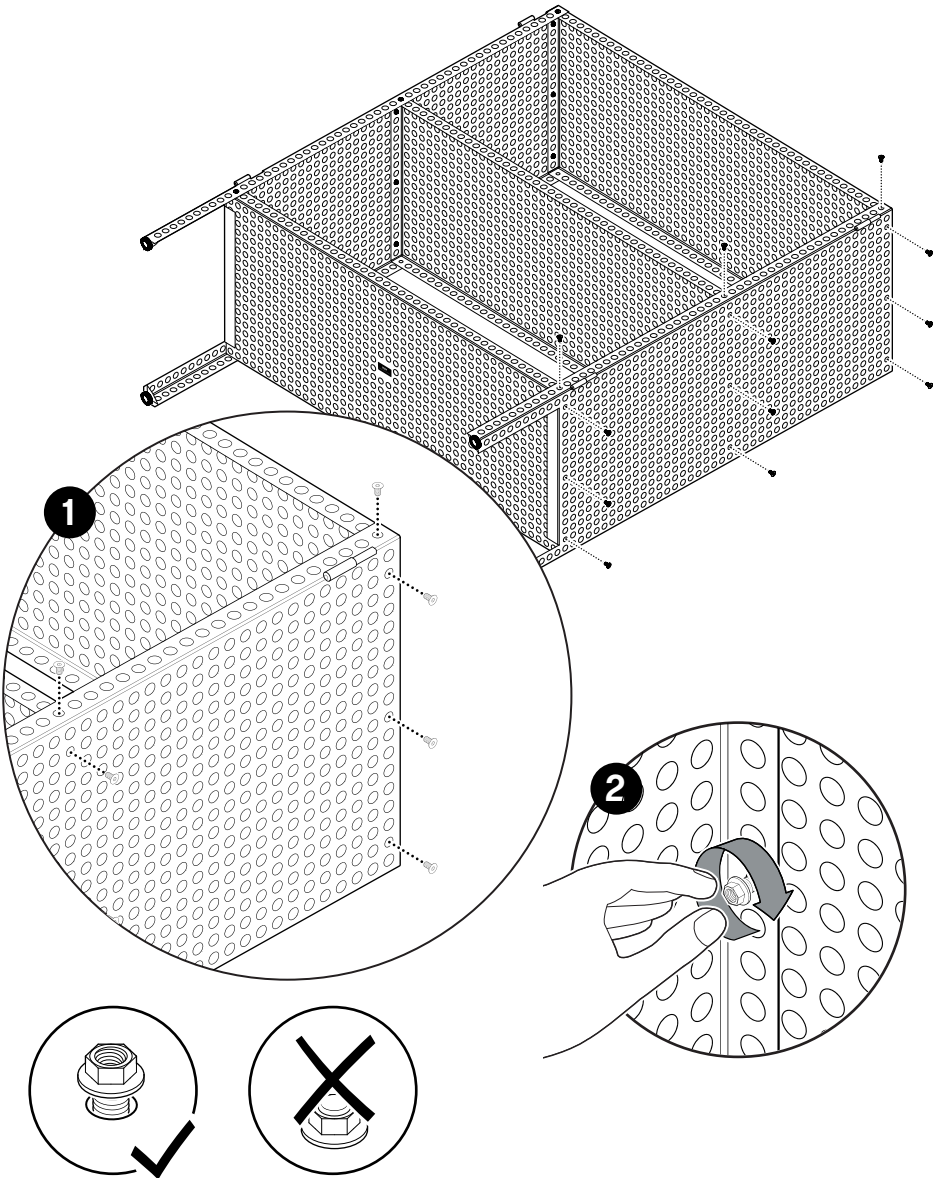


4.



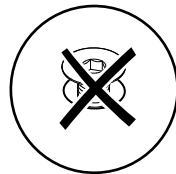
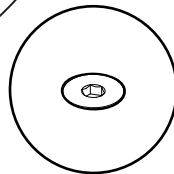
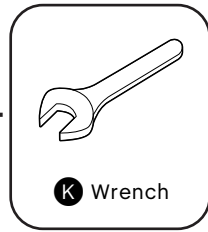
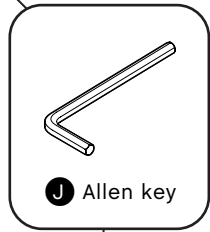
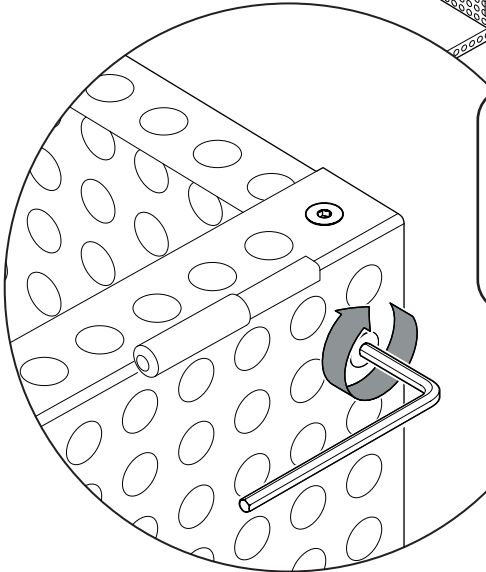
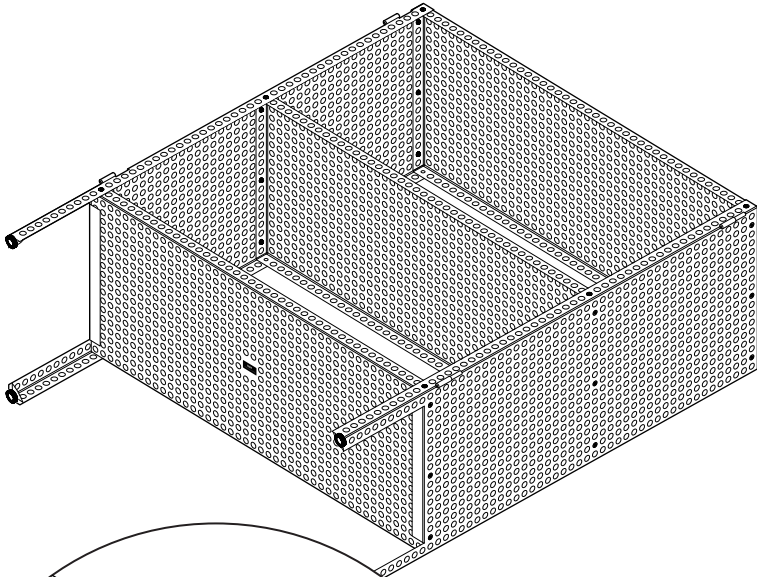
Do not fully tighten the screws.

5.



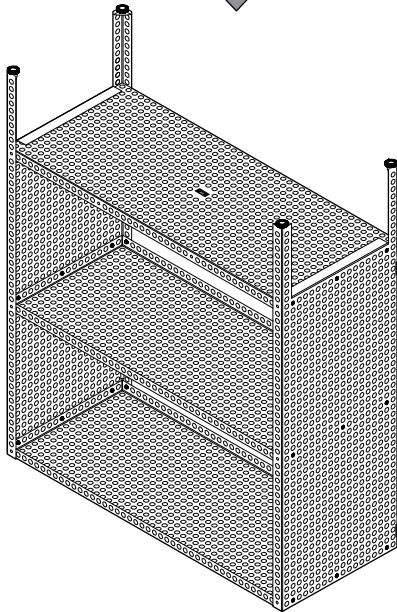
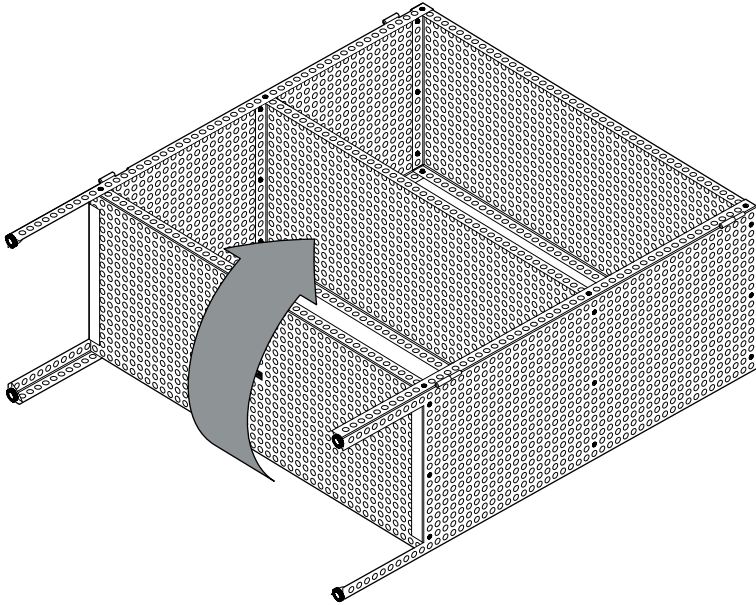
Do not fully tighten
the screws.

6.

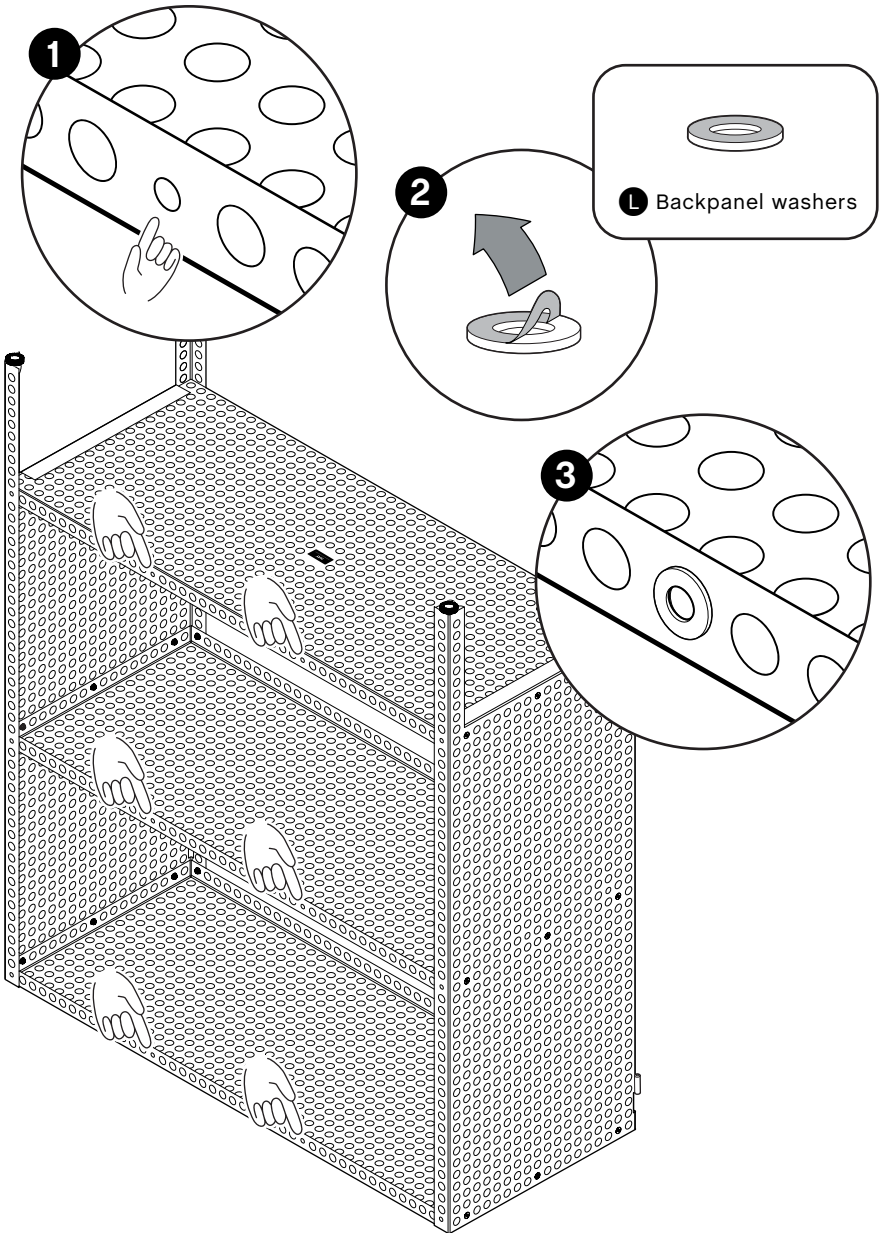


Fully tighten all the screws with the allen key.
Use the wrench if required.

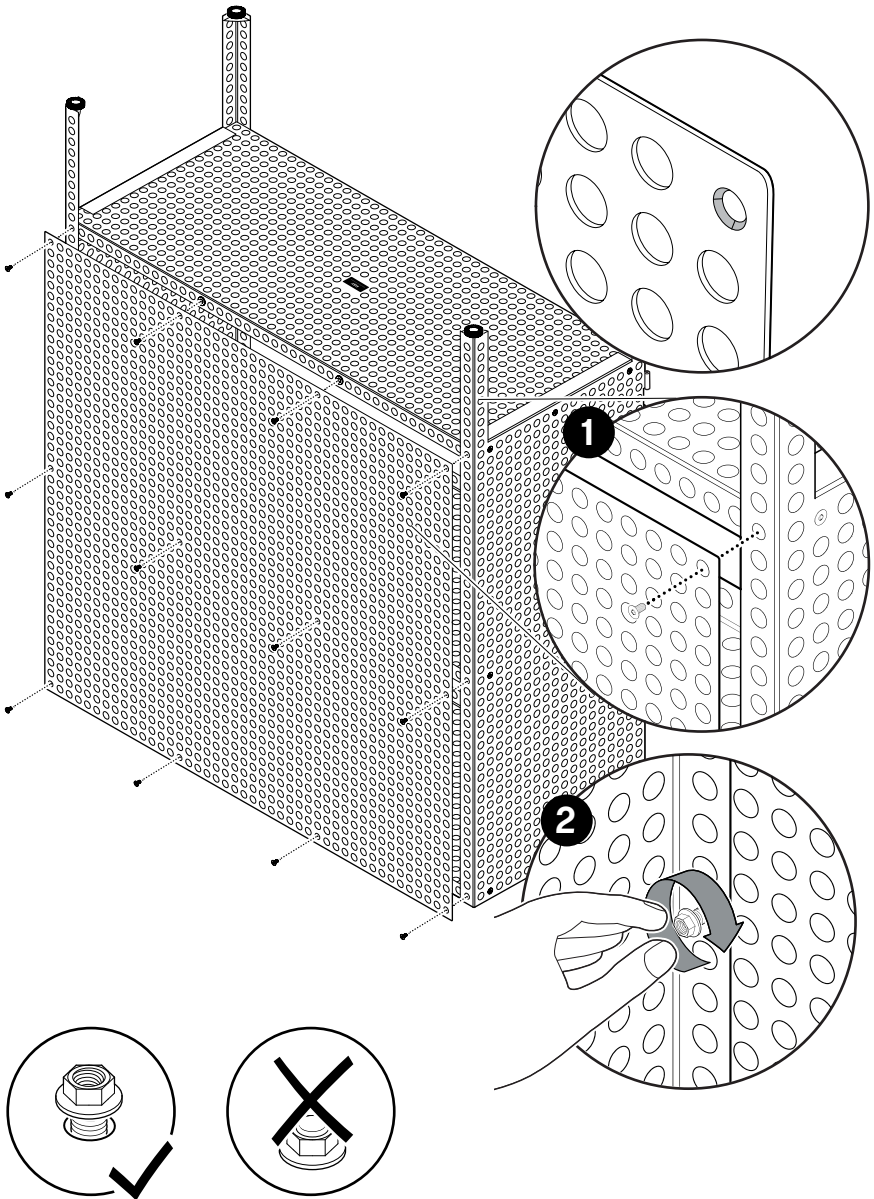
7.



8.

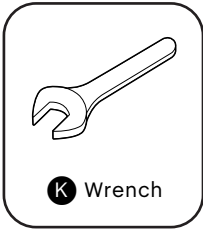


9.

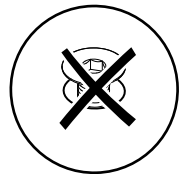
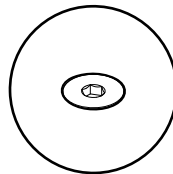
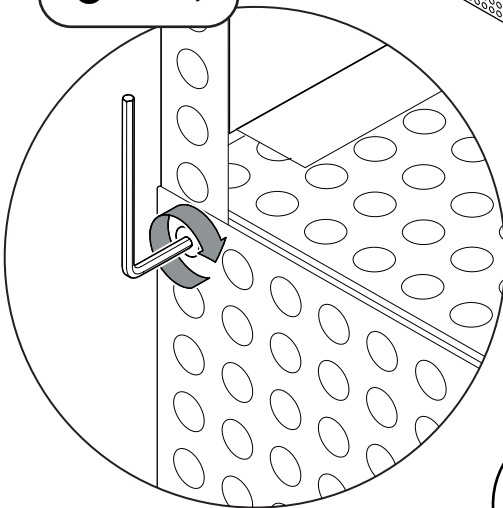
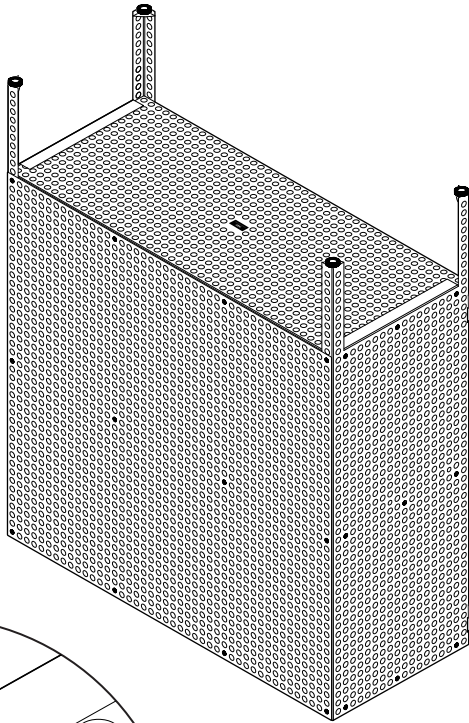
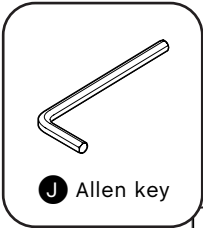


Do not fully tighten
the screws.

10.

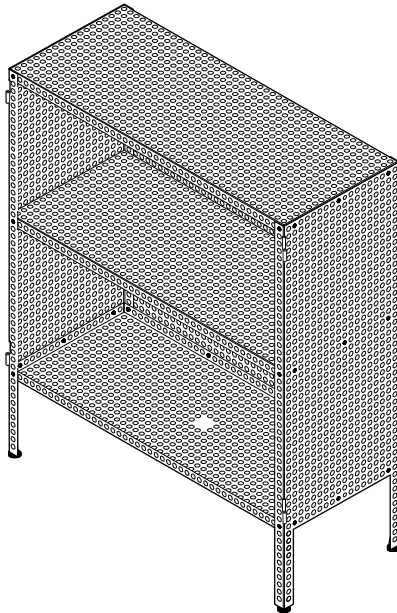
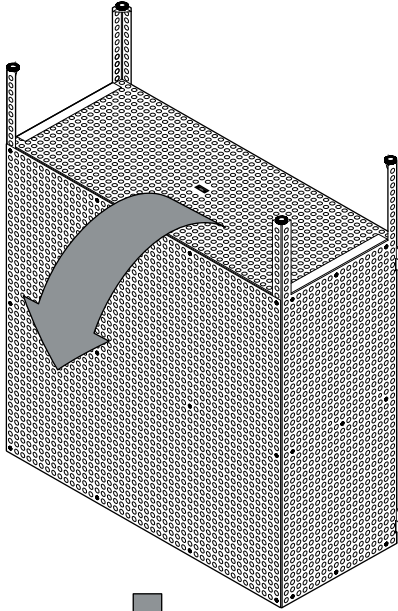


+

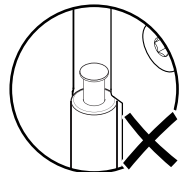
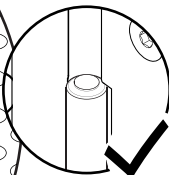
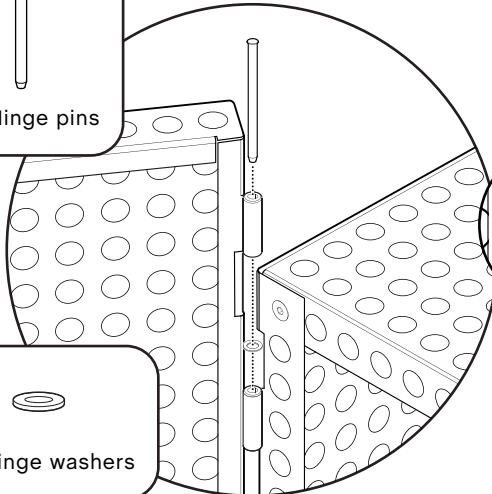
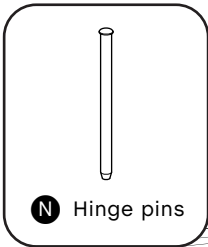
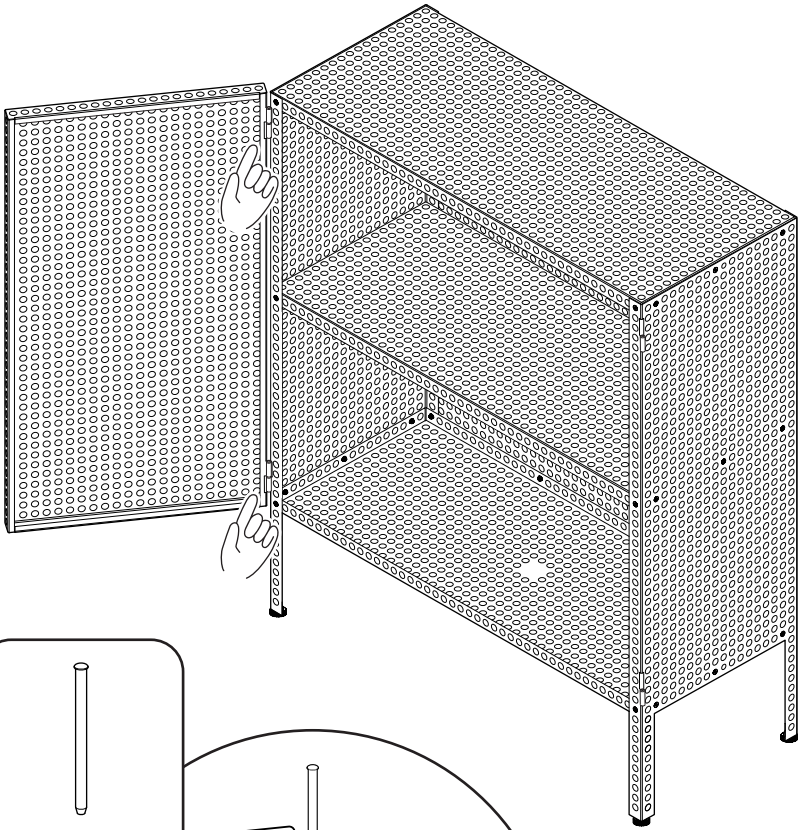


Fully tighten all the screws with the allen key.

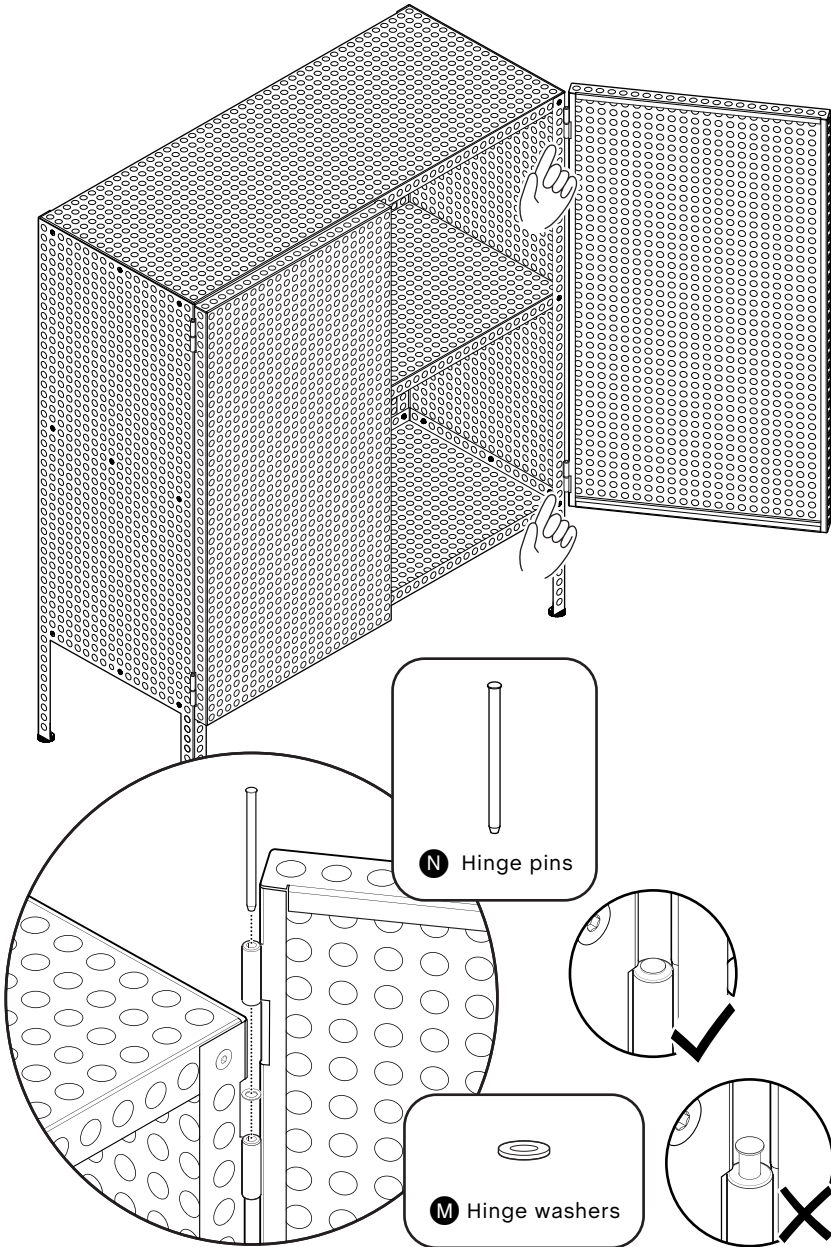
11.

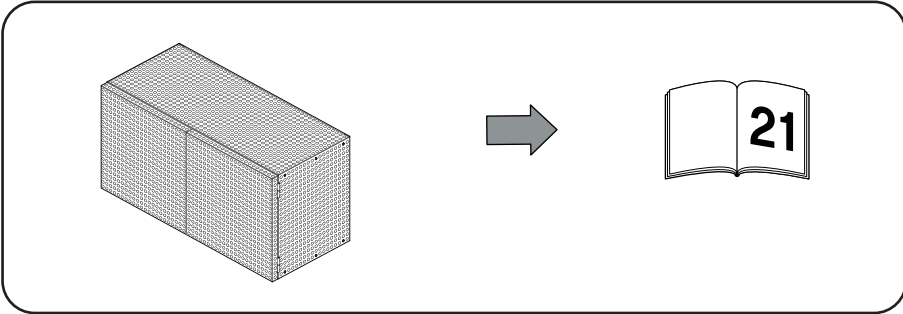
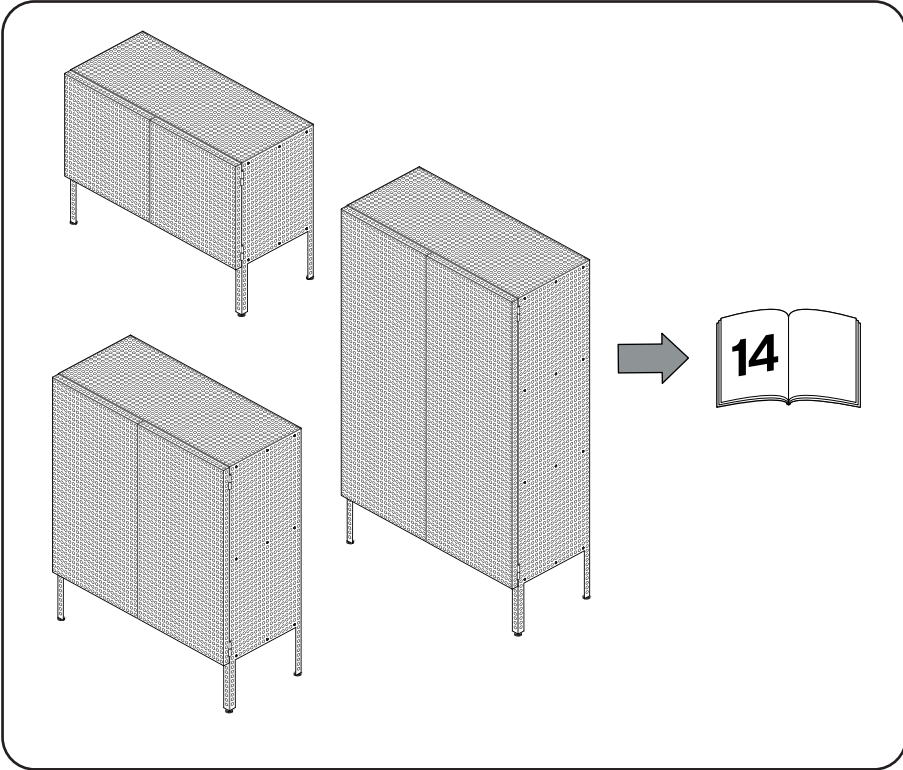


12.

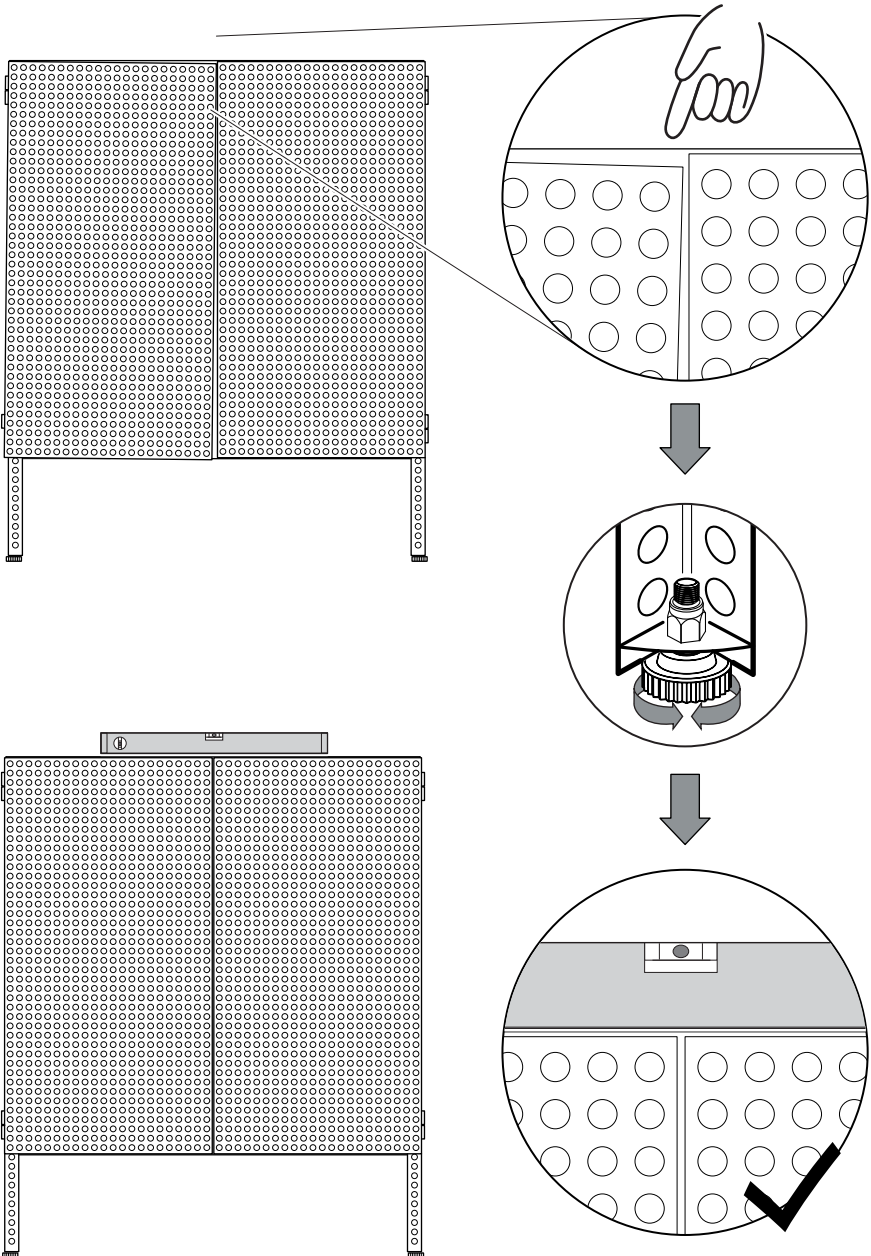


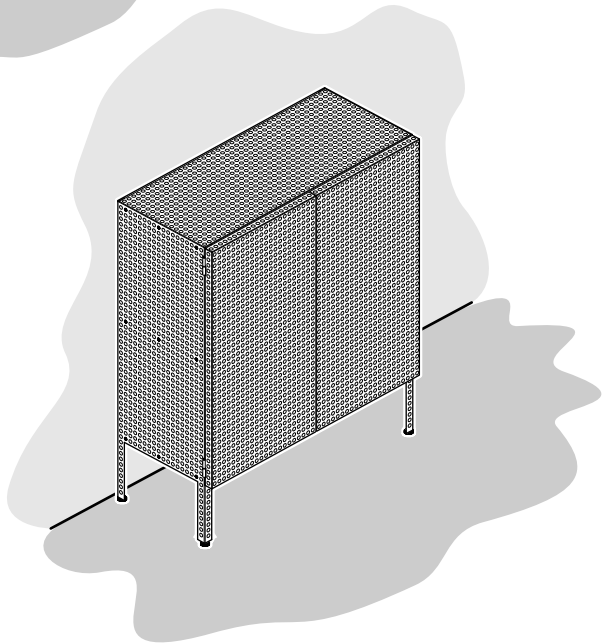
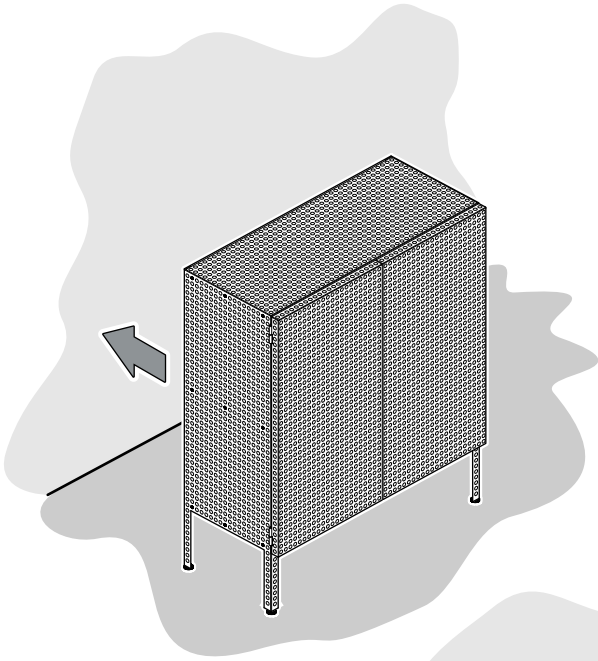
13.

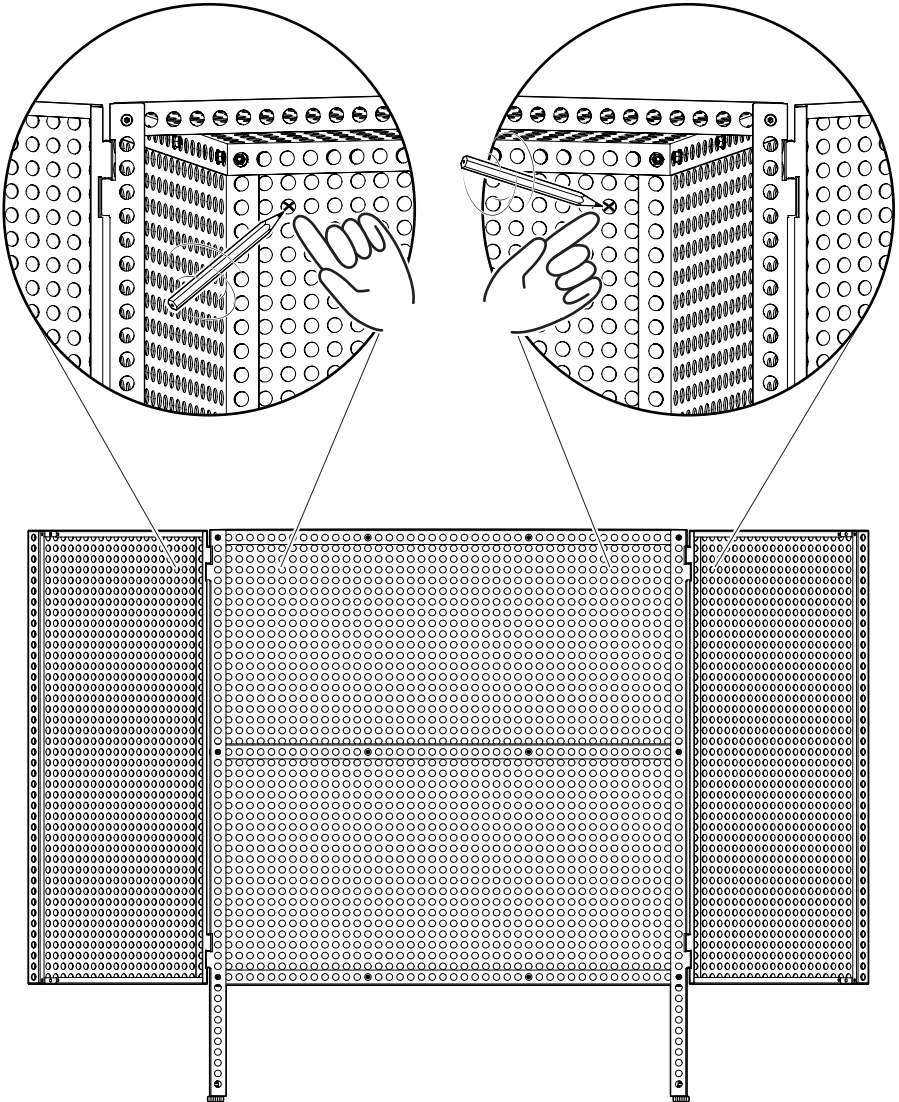


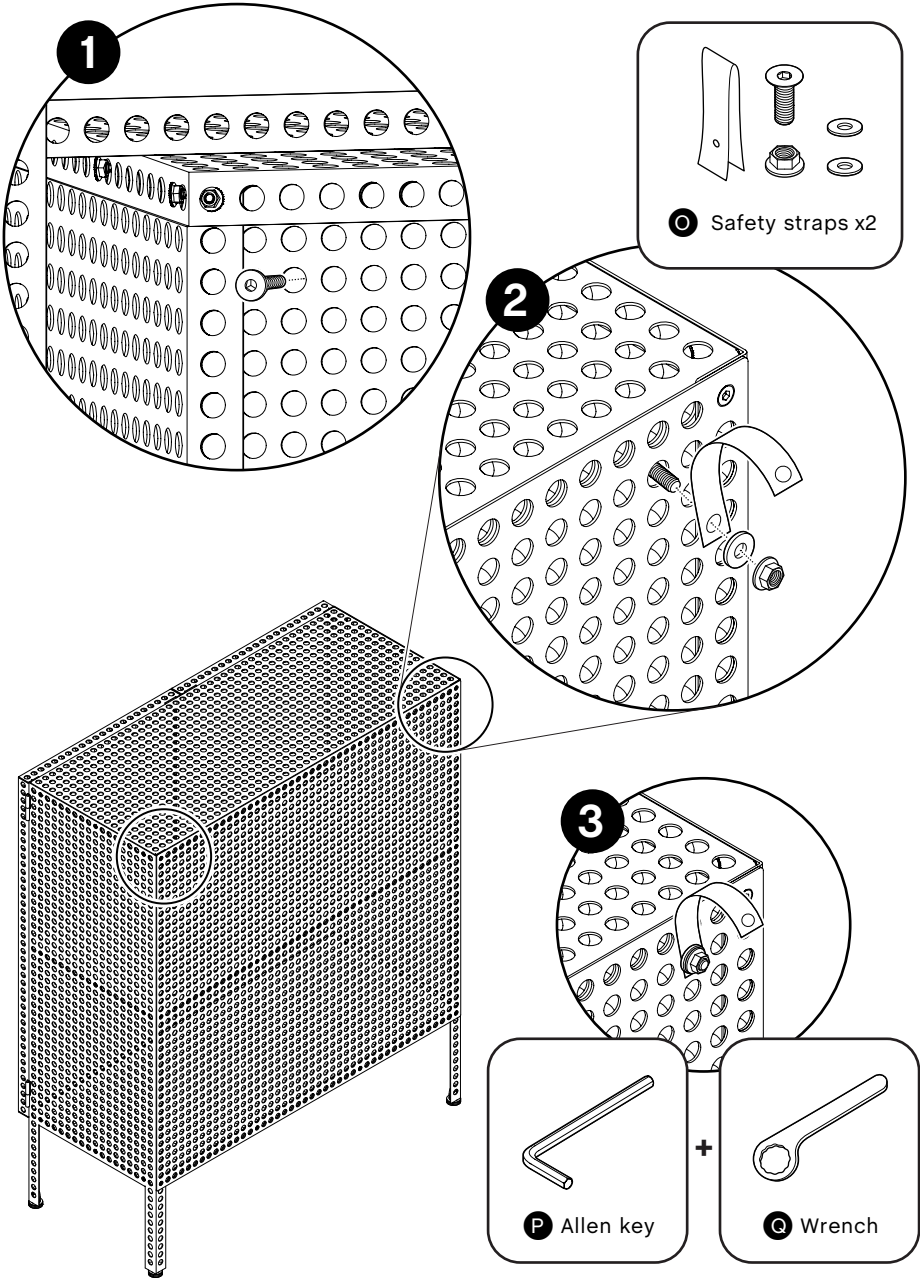


14.

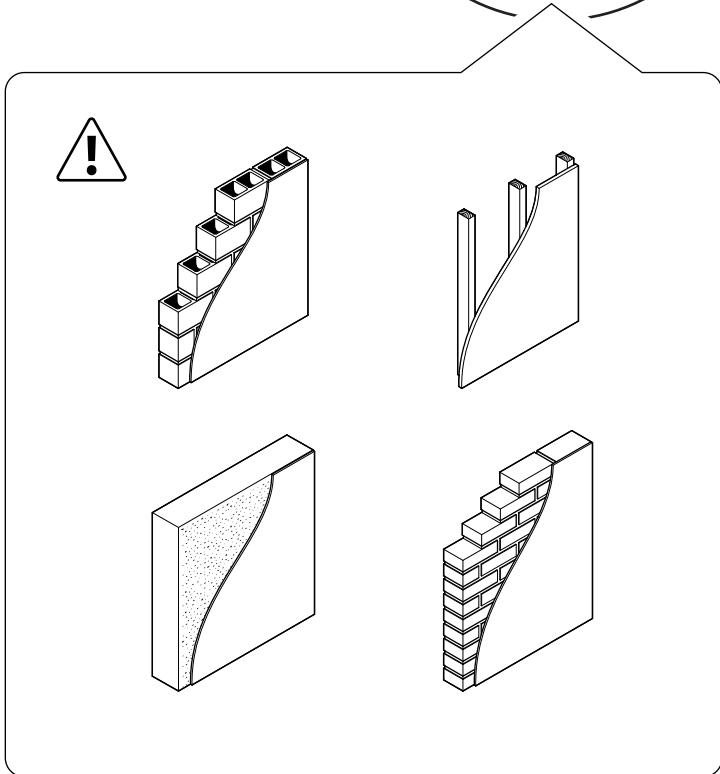
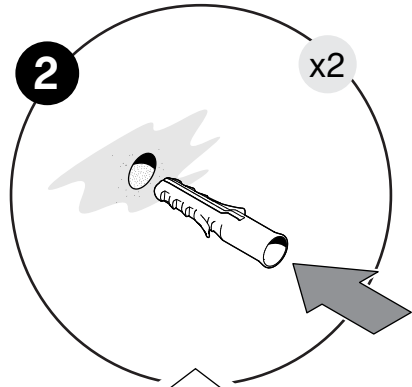
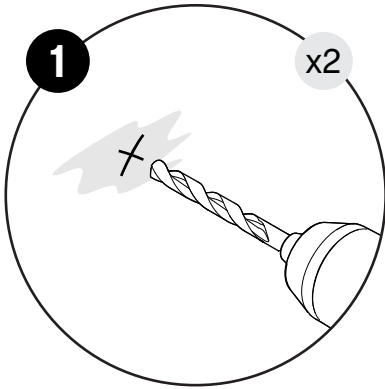








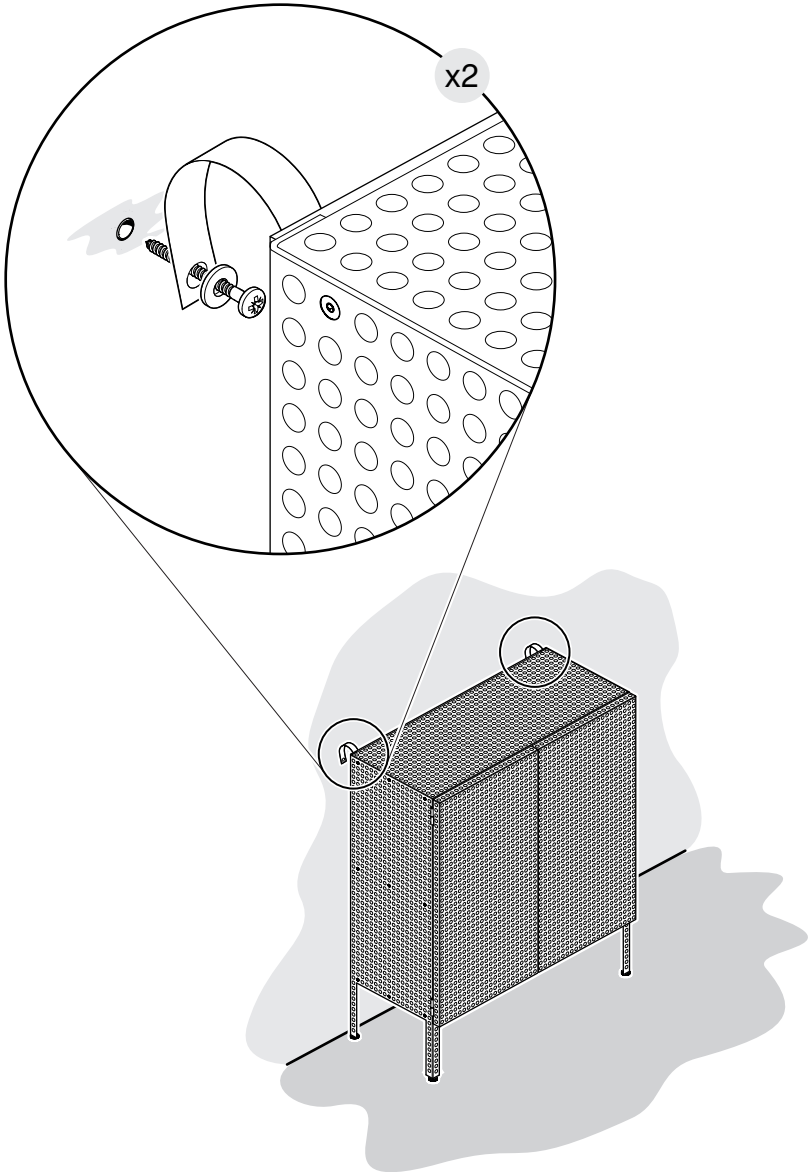
18.



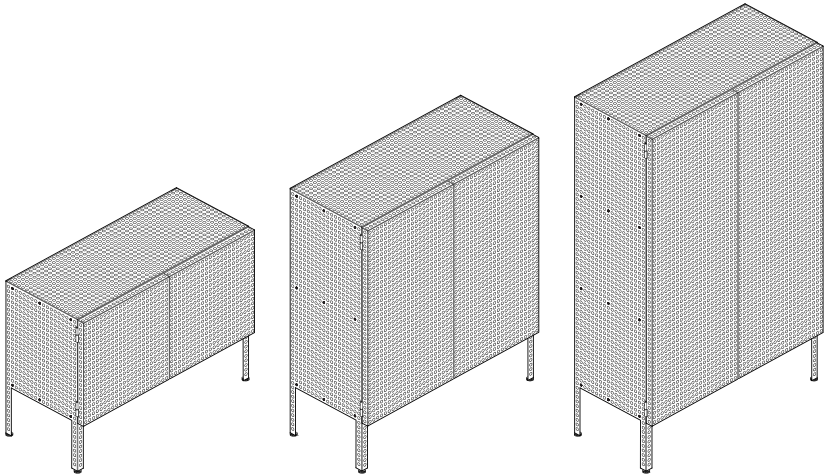
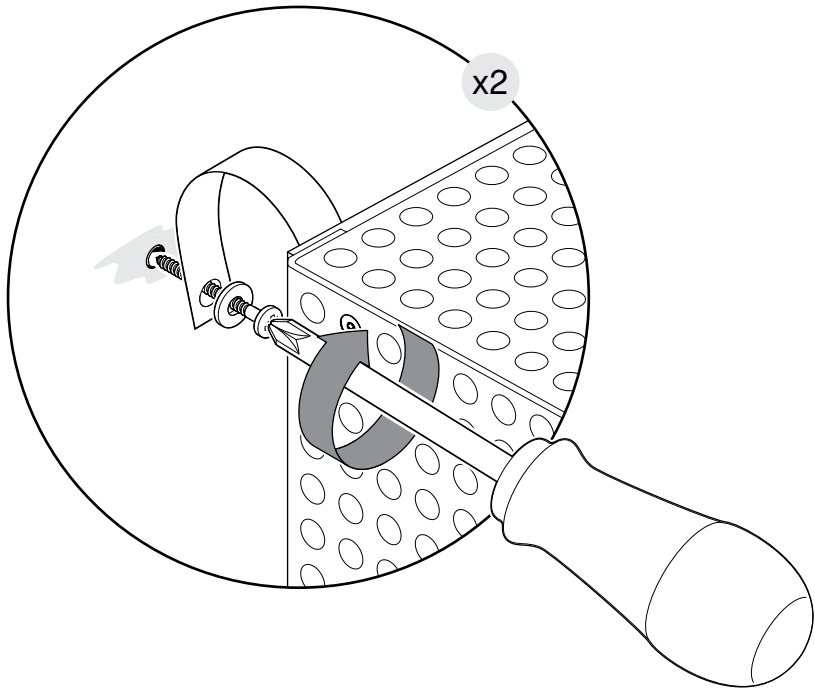
- WARNING -



The cabinet must be secured to the wall.

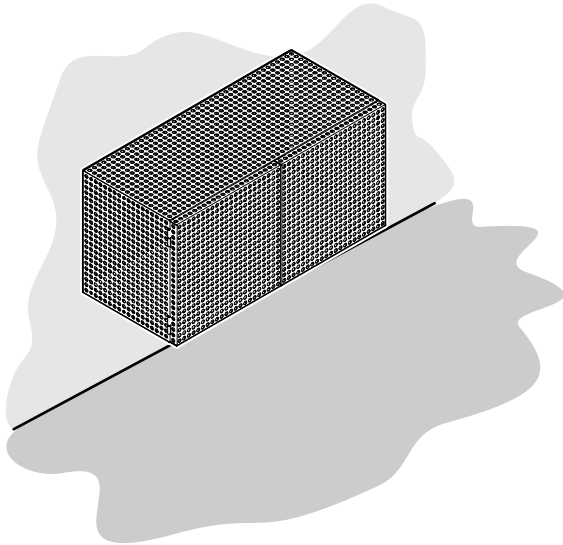
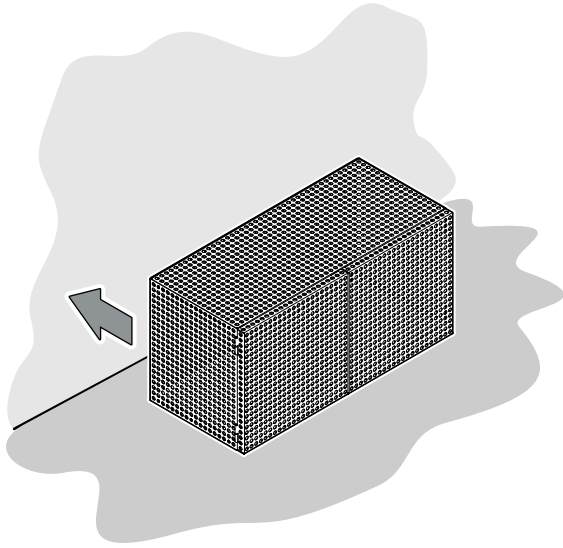


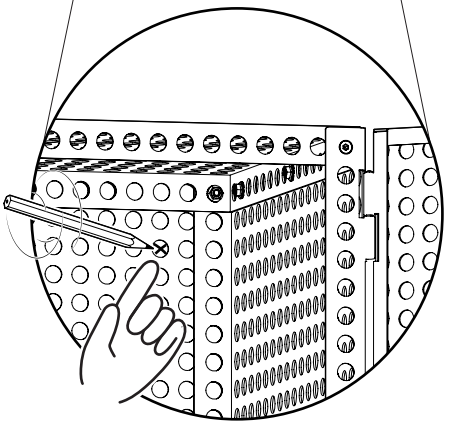
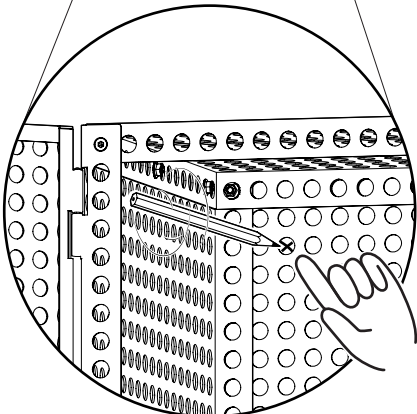
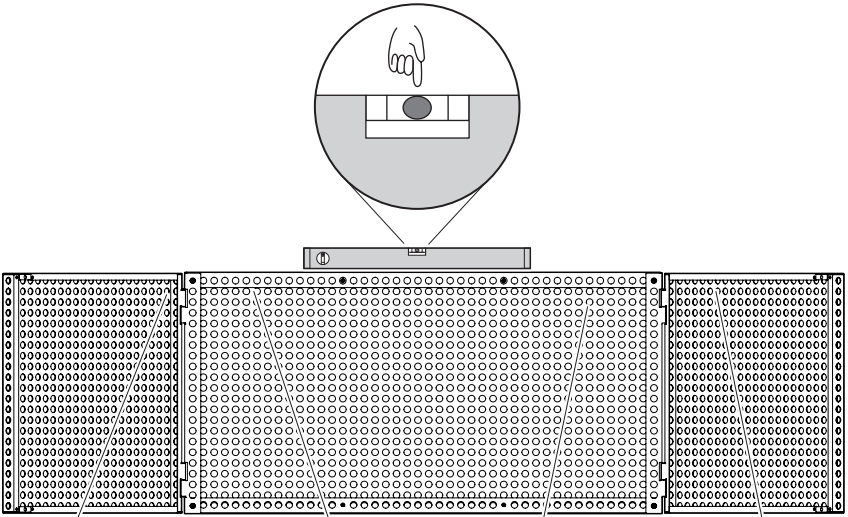
20.

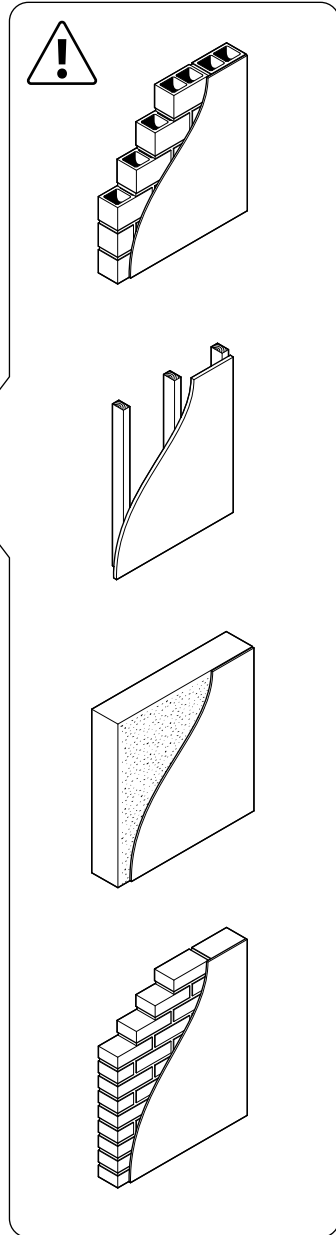
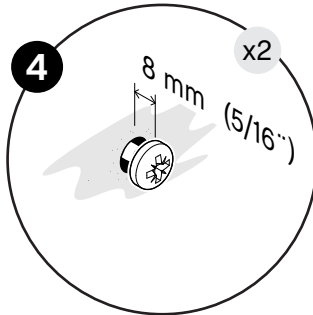
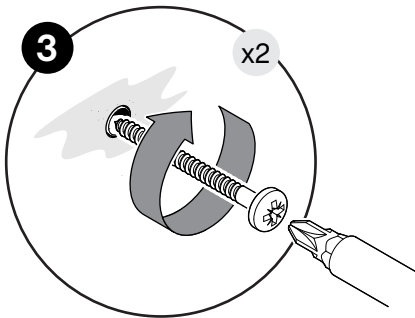
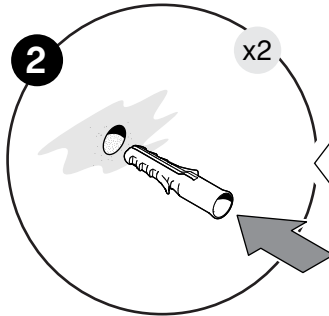
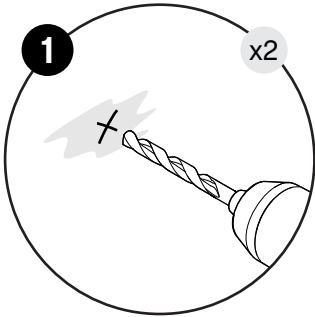


✓ Done!

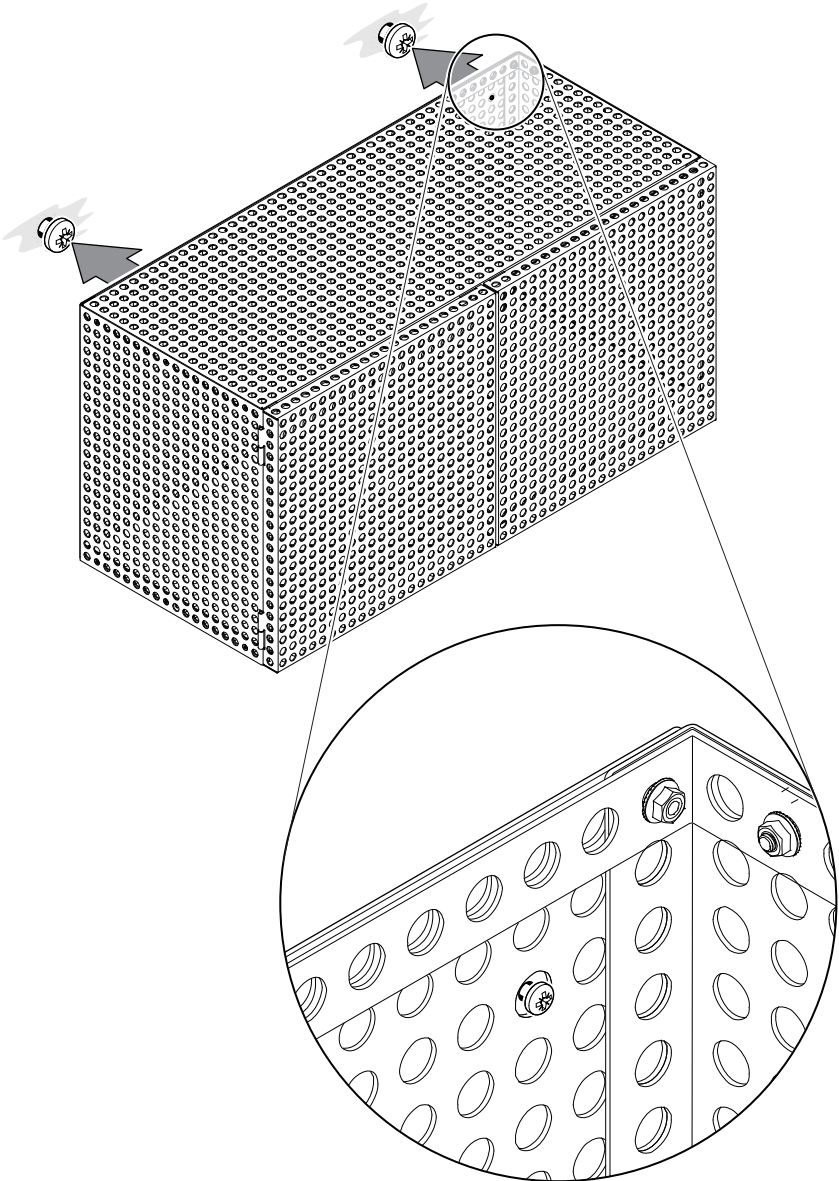
21.



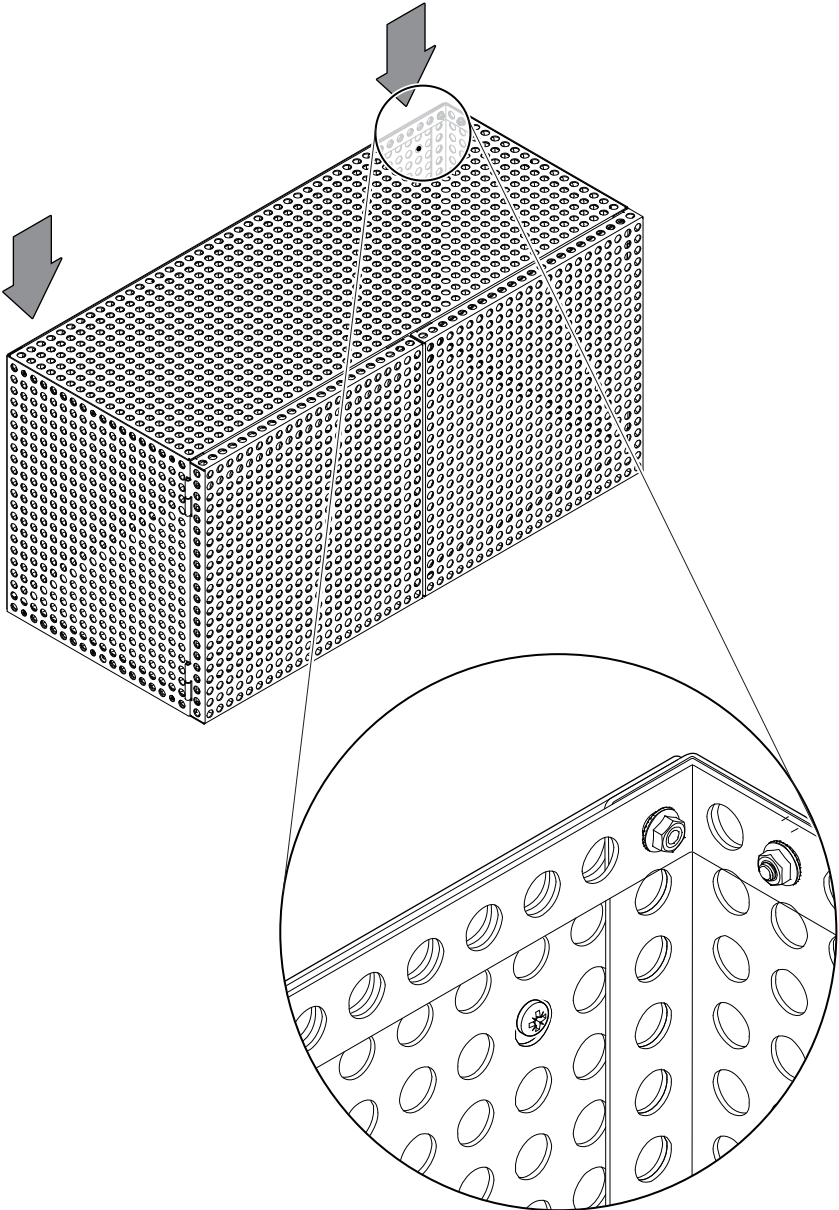


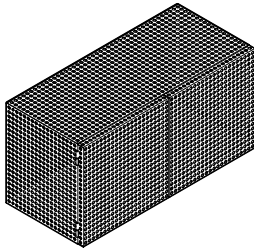
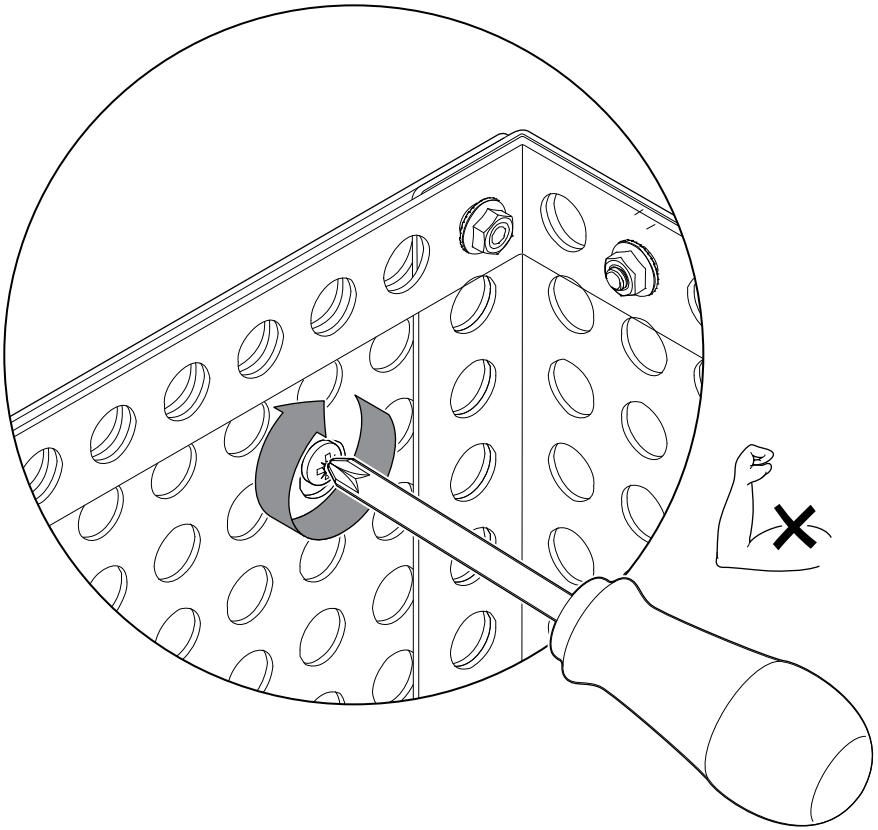


24.



25.





✓ Done!

- CARE & MAINTENANCE -

Our Care & Maintenance offers guidance for optimal maintenance of your HAY product. It includes advice and instructions on cleaning and caring for specific materials to prolong the life of your furniture.



Please find our Care & Maintenance guide by scanning the QR code



You can find more relevant information on Perforated Cabinet by scanning the QR code

You can also find the same information here
hay.dk/downloads

Havnen 3 8700 Horsens Denmark
+45 3164 6000 / hay@hay.com

11/06/2025

HAY

