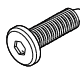
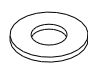
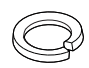
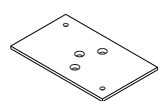
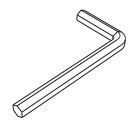
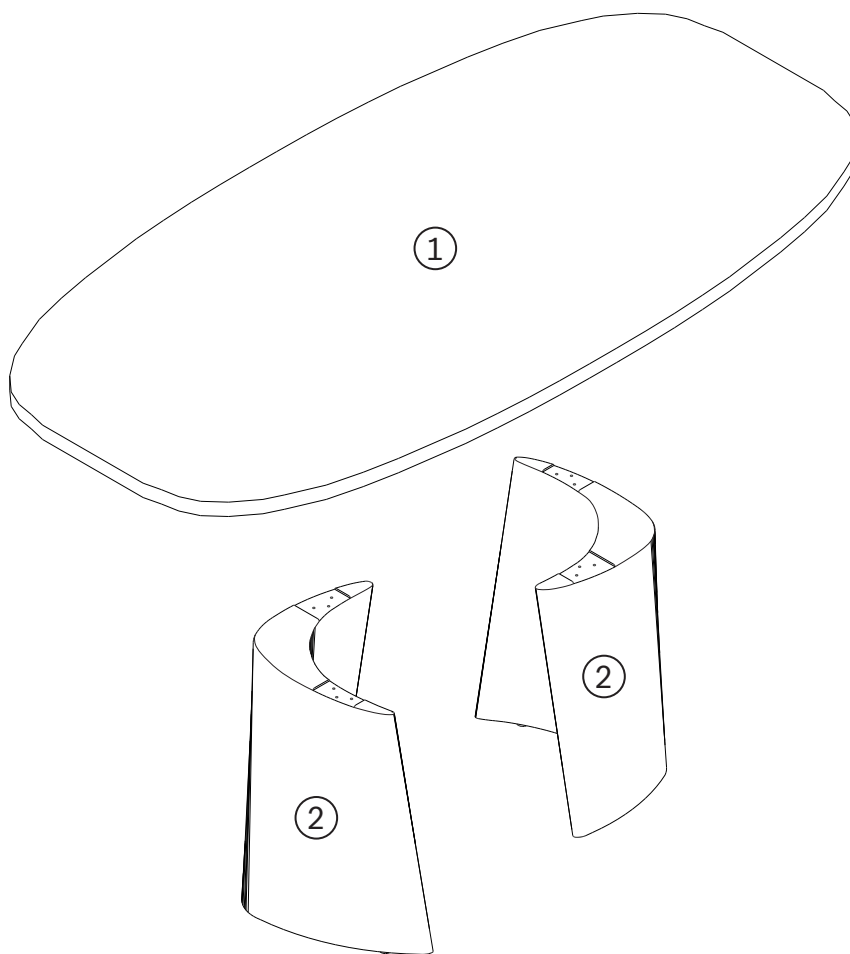
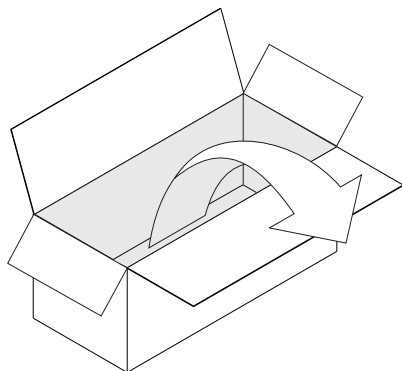


25061 CANYON OUTDOOR DINING TABLE ASSEMBLY INSTRUCTIONS FOR DINING TABLE INSTALLATION



HARDWARE & TOOL ENCLOSED

 JCBC SCREW M6x20 (20pcs)	 WASHER M6x18 (8pcs)	 SPRING WASHER M6 (8pcs)	 METAL PLATE (4pcs)	 ALLEN KEY
--	---	---	---	---



IN YOUR PACKAGE :

ASSEMBLY INSTRUCTIONS
HARDWARE (AS LISTED ABOVE)

PARTS TO BE INSTALLED

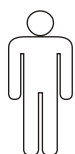
1. TABLE TOP (1 pc)
2. LEGS (2 pcs)

 **LEGS ARE INTERCHANGEABLE**

SYMBOLS



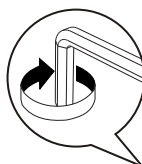
DIRECTION



NUMBER OF PERSONS NEEDED

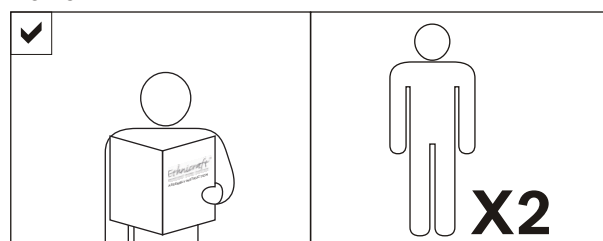


USE HAND



USE ALLEN KEY TO TIGHTEN

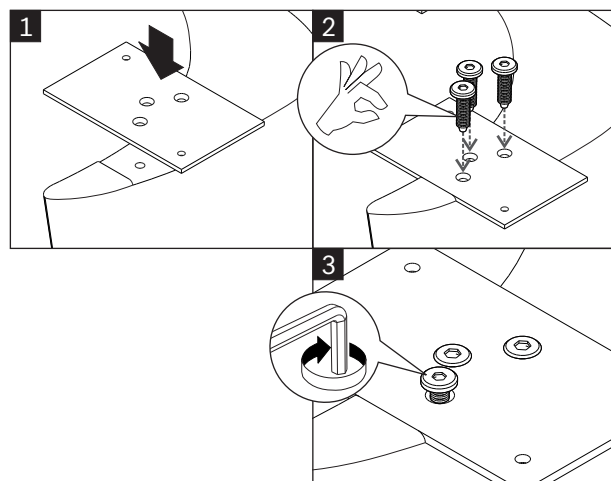
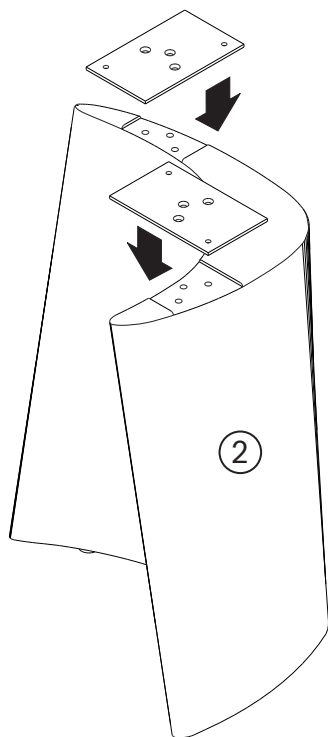
NOTICE



25061 CANYON OUTDOOR DINING TABLE ASSEMBLY INSTRUCTIONS FOR DINING TABLE INSTALLATION

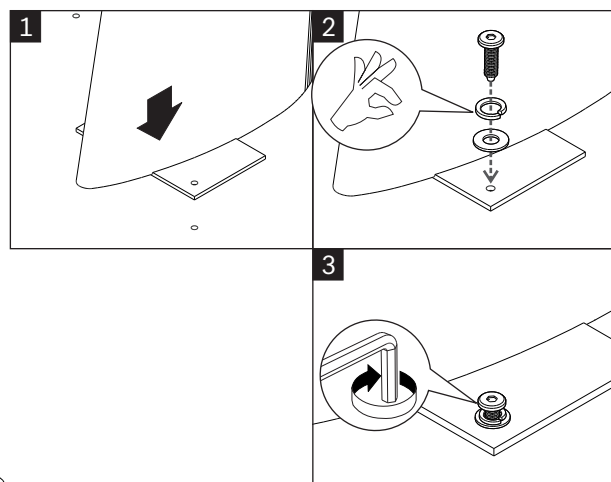
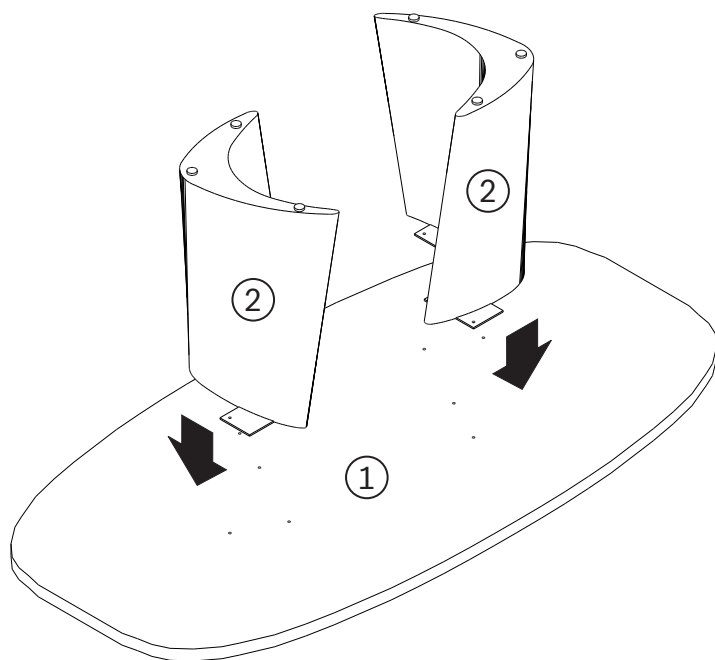


A ATTACHING METAL PLATES TO LEGS



- USE METAL PLATE (X4)
- USE JCBC SCREW M6x20 (X12)
- TIGHTEN FULLY
- COMPLETE ABOVE STEPS ON BOTH LEGS

B ATTACHING LEGS TO TABLE TOP

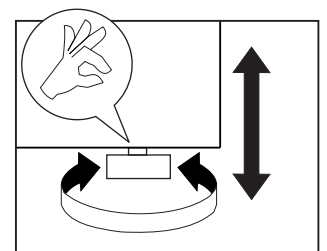
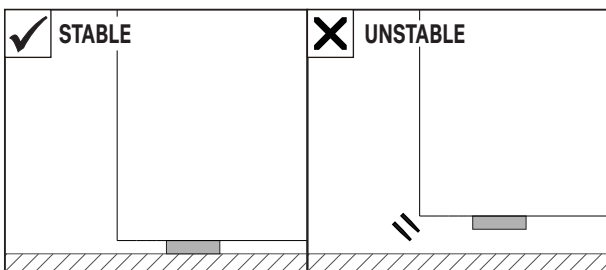
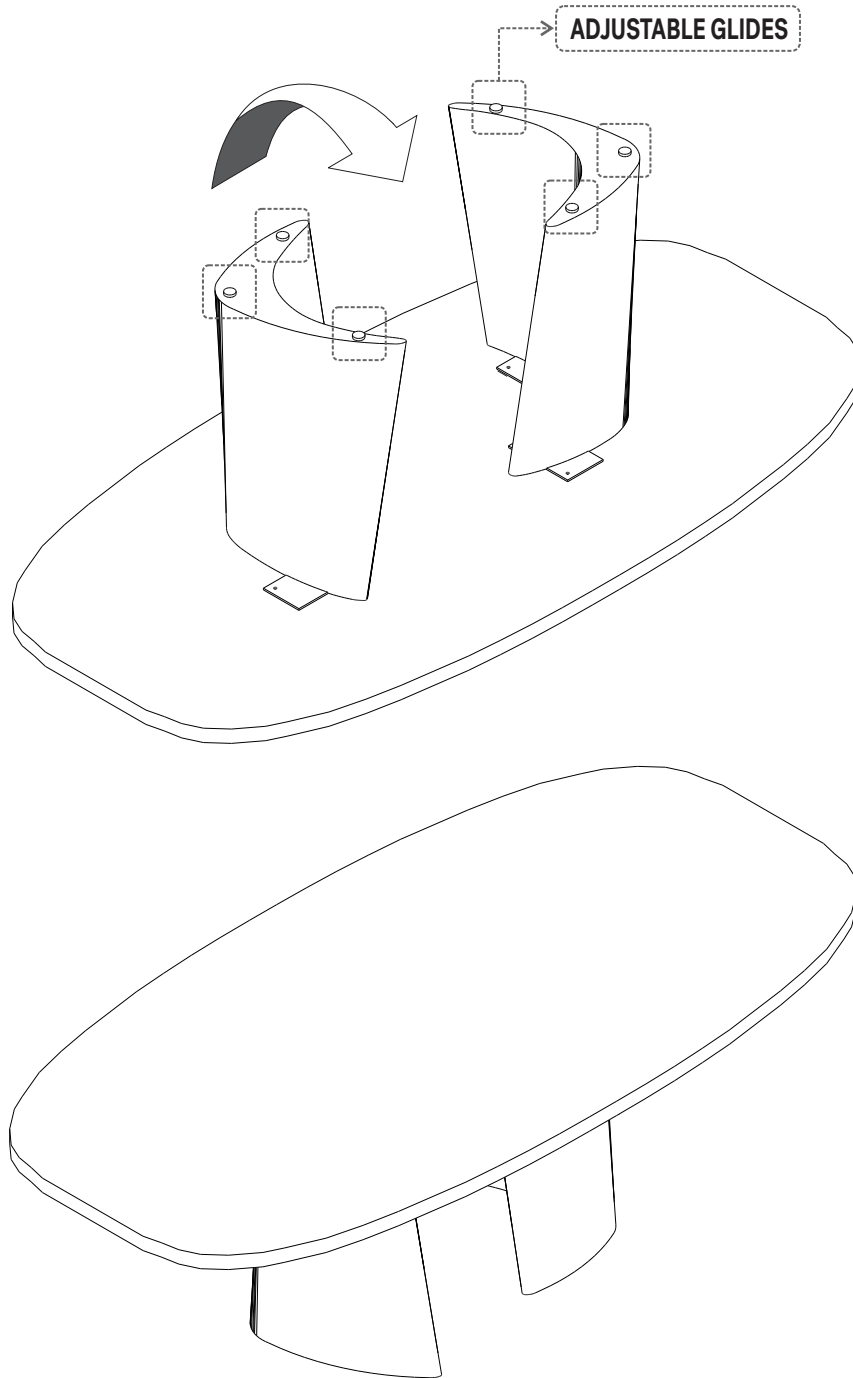
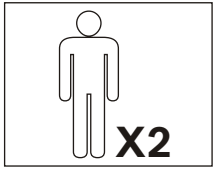


- USE JCBC SCREW M6x20 (8X)
- USE SPRING WASHER M6 (8X)
- USE WASHER M6x18 (8X)
- TIGHTEN FULLY

25061 CANYON OUTDOOR DINING TABLE ASSEMBLY INSTRUCTIONS FOR DINING TABLE INSTALLATION



MODIFY THE ADJUSTABLE GLIDES



NOTE :
TO ENSURE STABILITY, ALL GLIDES SHOULD BE ADJUSTED
TO MAKE EVEN CONTACT WITH THE SURFACE UNDERFOOT.