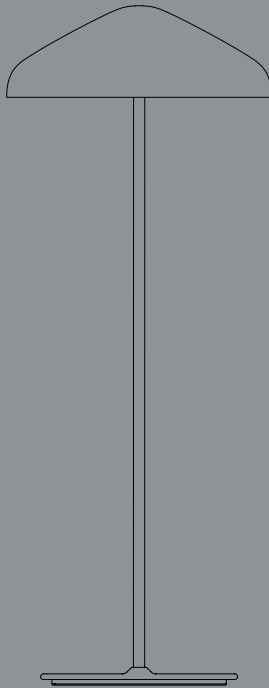


- INSTRUCTION MANUAL -

PAO STEEL FLOOR LAMP



DESIGN BY NAOTO FUKASAWA

HAY

- GENERAL INFORMATION -

TECHNICAL DATA

This product is fitted with two E27 (EU) or E26 (US) bulb fittings. HAY recommends using this product with LED bulbs.

FITTING TYPE | E27 (EU) or E26 (US)

POWER (W) | 8-15W

COLOUR TEMPERATURE | Warm white

HAY will not accept any responsibility for any accidents, injuries or damages that occur due to the use of incorrect bulbs.

ATTENTION

Ensure that the power supply to the circuit has clearly been turned OFF before installing the product. In some countries, electrical installation must be carried out by authorised electricians/contractors; please check with your local authority for guidance.

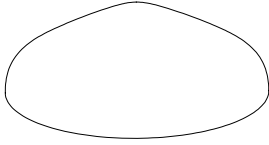
The product must not be modified in any way. HAY accepts no responsibility for any products that have been modified or tampered with. If the external flexible cable or cord of this luminaire is damaged, it should be exclusively replaced by a qualified electrician in order to avoid an electrical hazard. This lamp is designed for indoor use only.

CARE AND MAINTENANCE

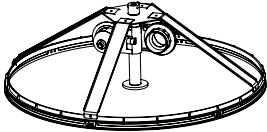
The product can be cleaned with a soft damp cloth and mild detergent, or a dry microfibre cloth. Do not use alcohol or any other solvents to clean the product and avoid using abrasive or rough sponges. Ensure that the power supply has been turned OFF before cleaning the product.



- PARTS -



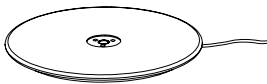
Shade



Bracket



Stem



Base



Allen key



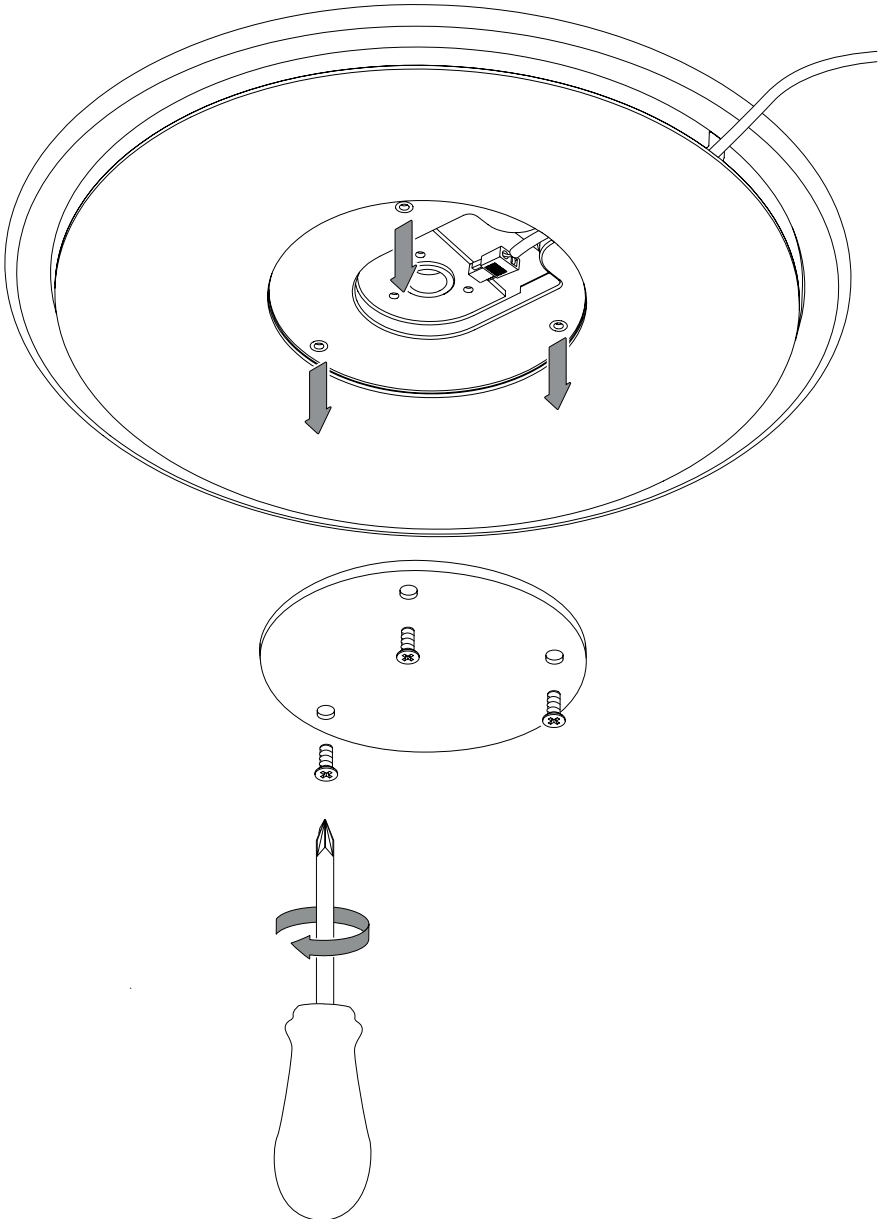
Torx key



UK converter

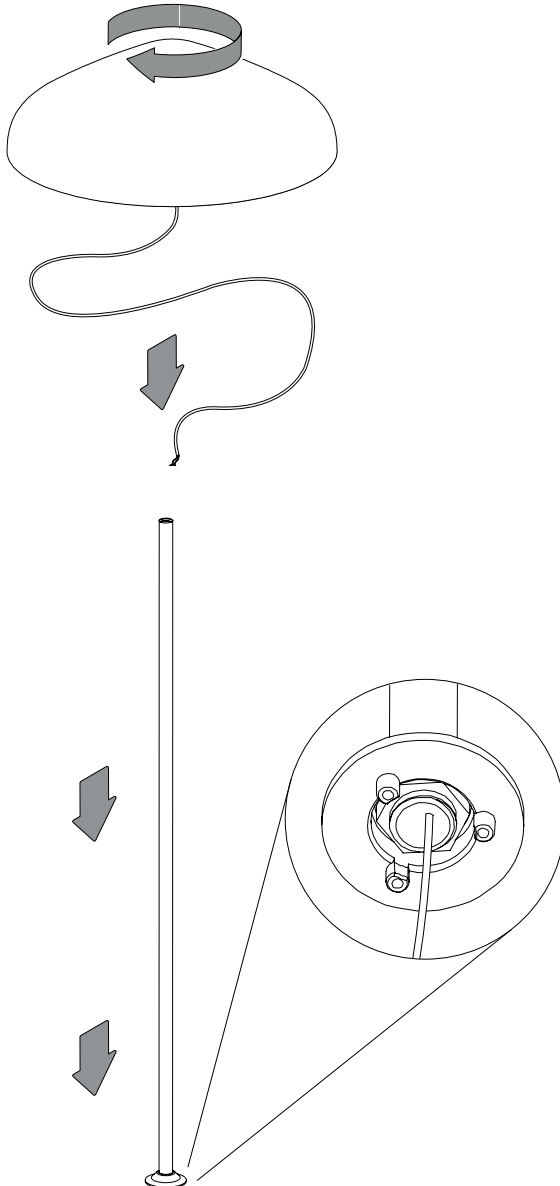
1.

Unpack all the parts and check that you have received all the parts listed. Begin by removing the bottom plate from underneath the base.



2.

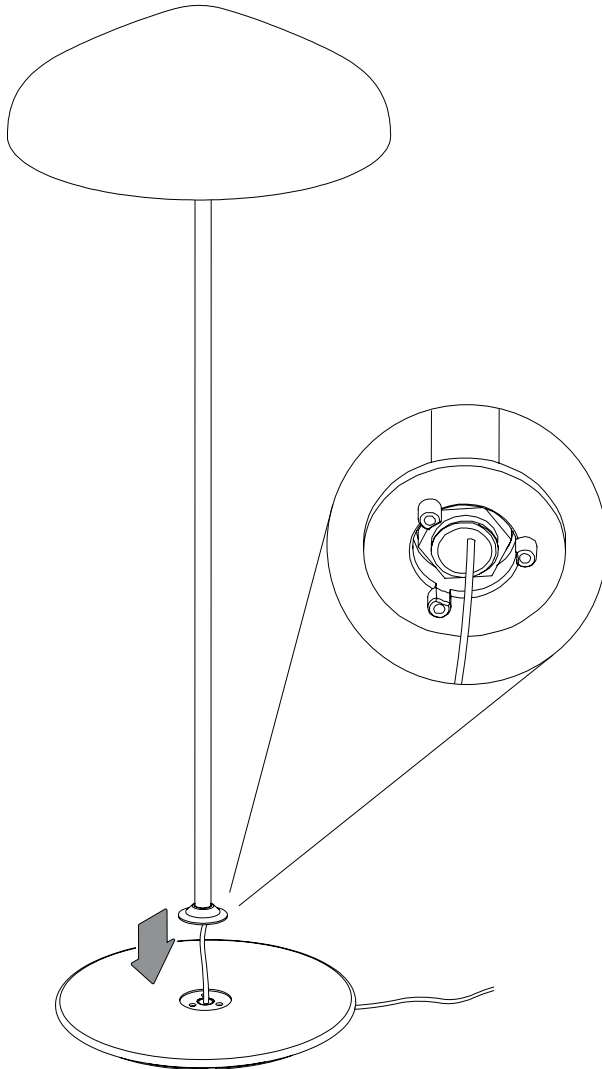
Thread the cable from the lamp shade through the lamp stem. Make sure that the top of the stem is facing the shade, as pictured below. Once you have passed the cable through, carefully screw the shade clockwise to tighten it.



3.

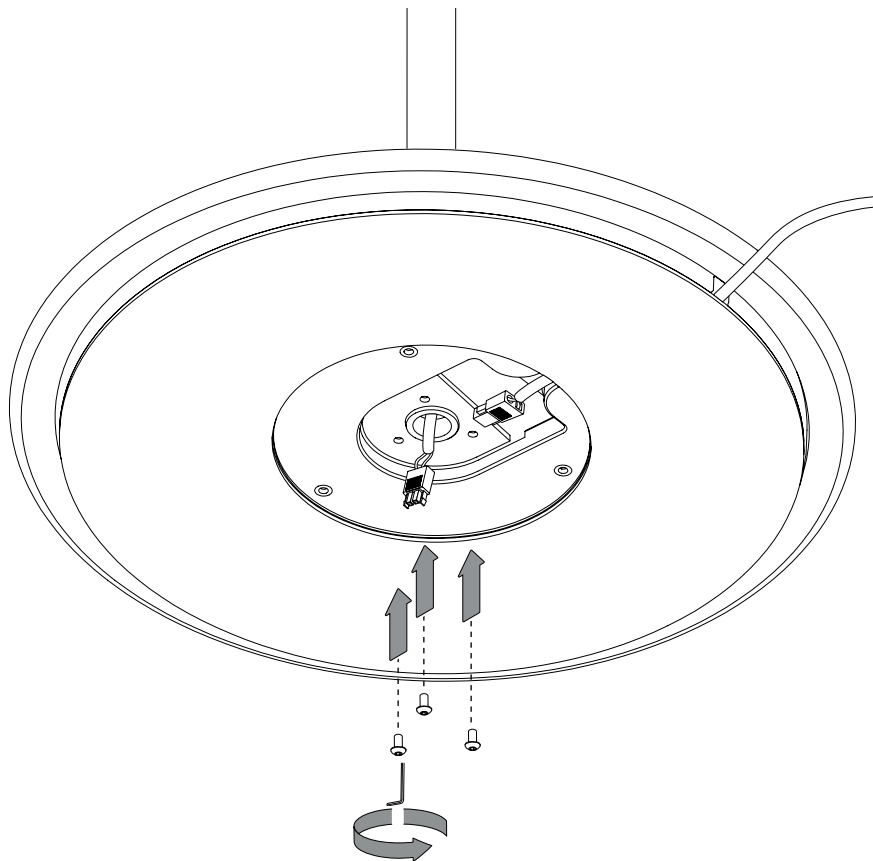
Note: It is advised that two people perform this step, to support the stem during assembly.

Thread the cable from the lamp stem through the hole in the centre of the base. Place the stem on the base, taking care to align the three guides underneath the stem with the corresponding holes on the base.



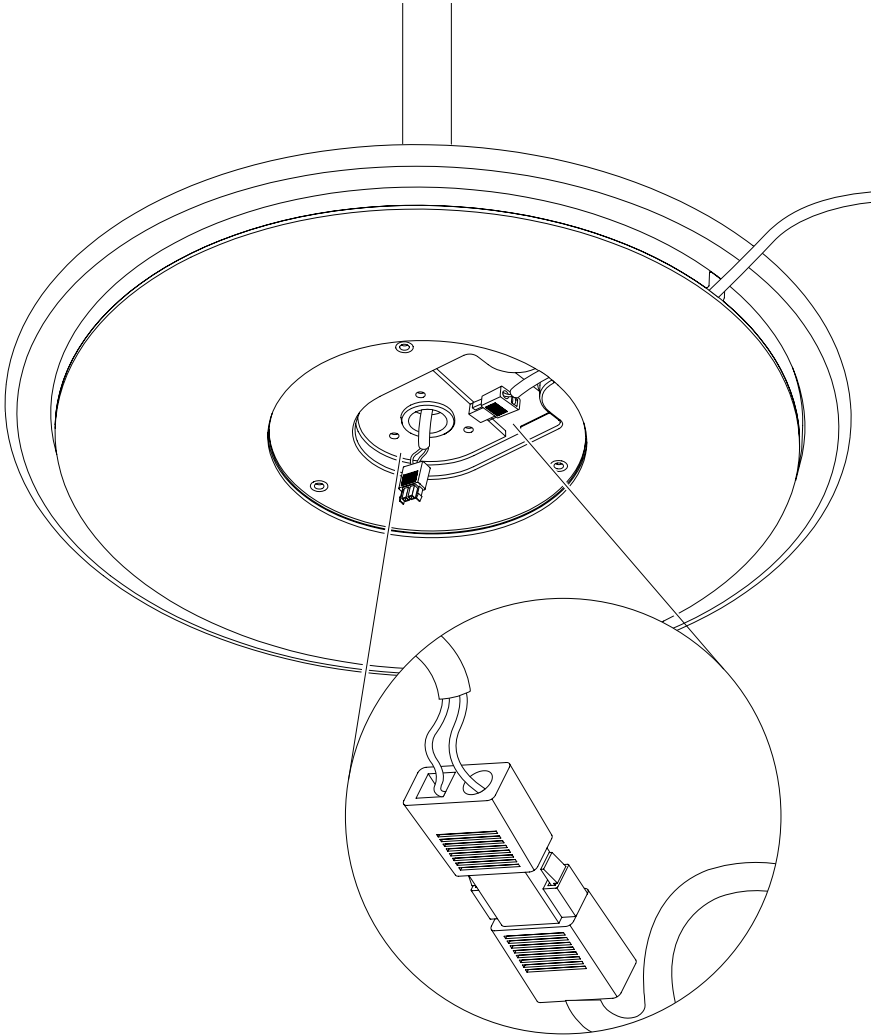
4.

Making sure to support the lamp stem, turn the lamp on its side and attach the lamp stem to the base with the three included screws using the Torx key. Make sure to tighten it properly, to prevent the lamp stem and shade from rattling.



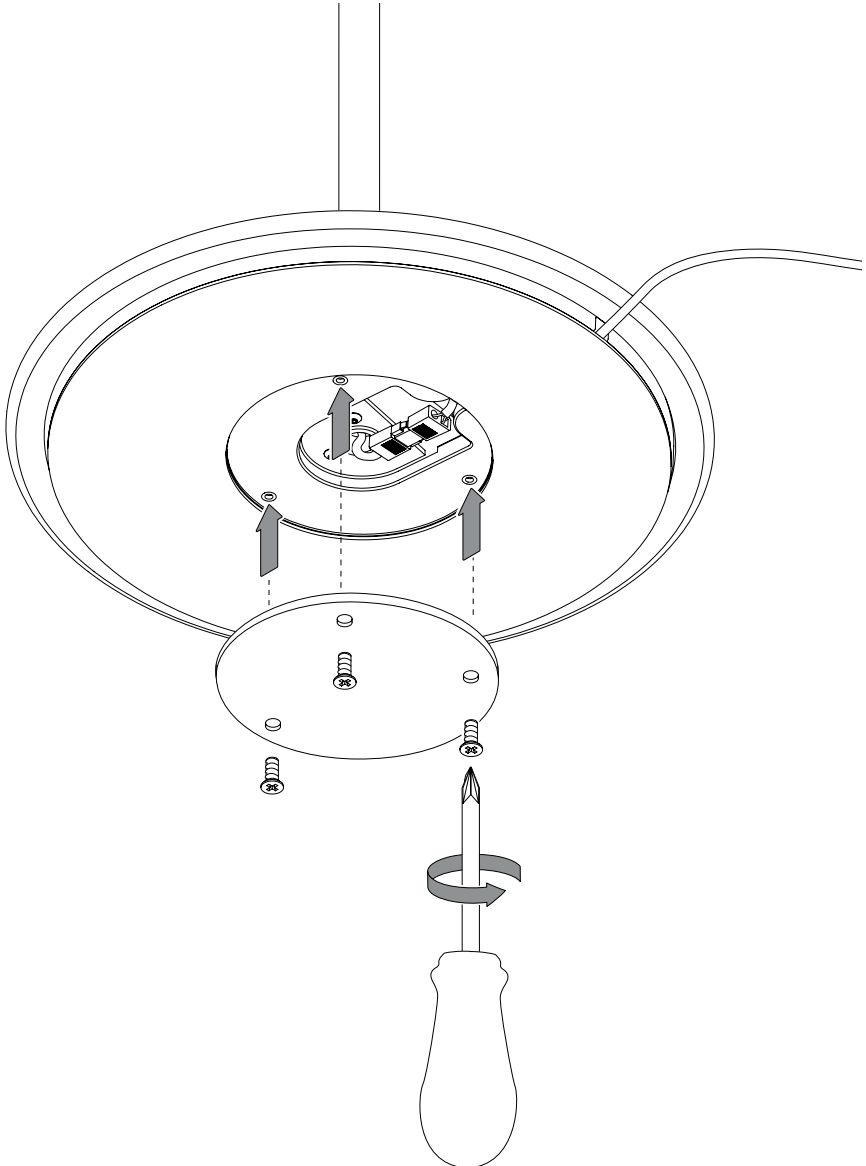
5.

Connect the cable connector from the lamp stem to the connector underneath the base. Make sure they are properly connected before moving on to the next step.



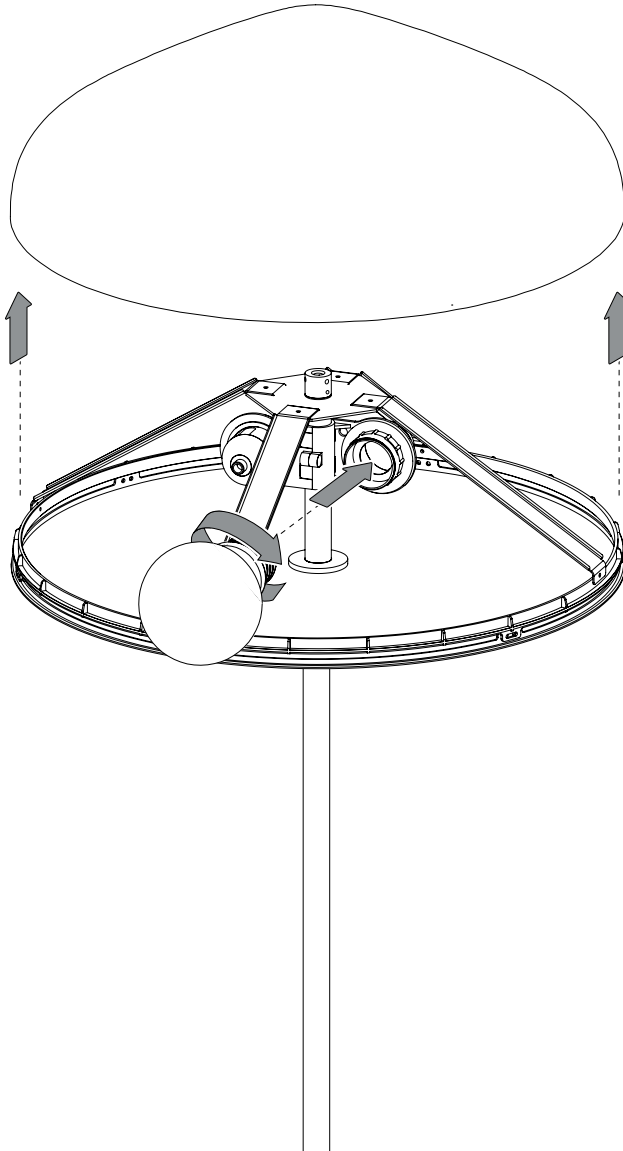
6.

Once the stem has been properly fastened and the cables connected and secured, the bottom plate can be mounted underneath the base again fastened with the three screws.



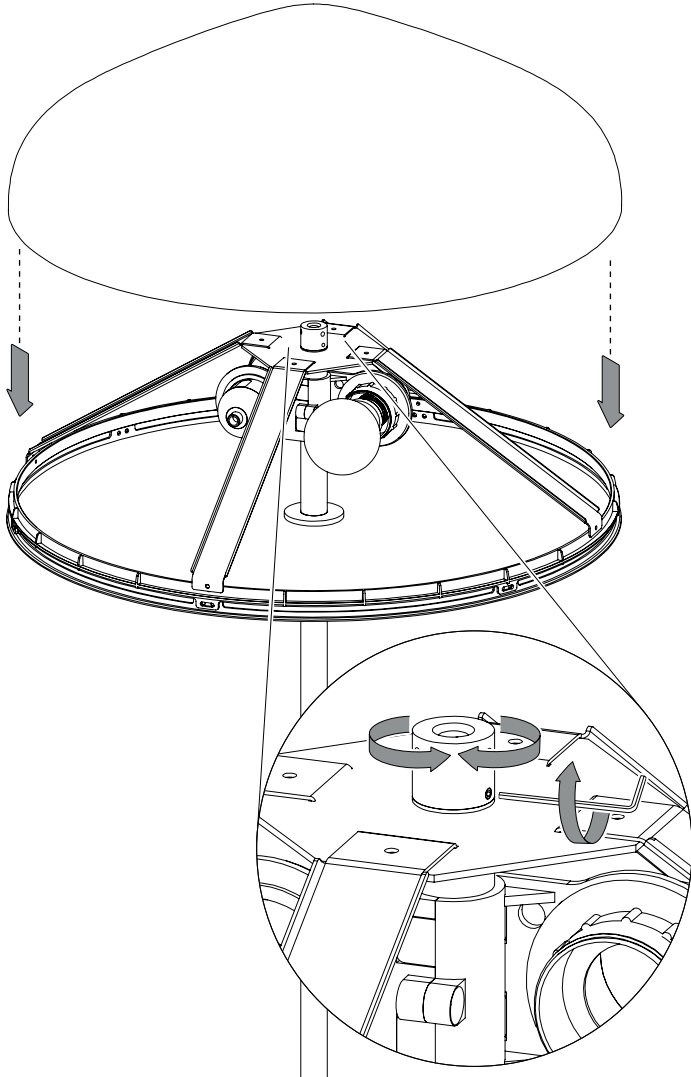
7.

Place the lamp back on the floor and carefully lift off the shade from the bracket.
Insert the LED bulbs into the bulb fittings, making sure the lamp is ready for reassembling the shade.



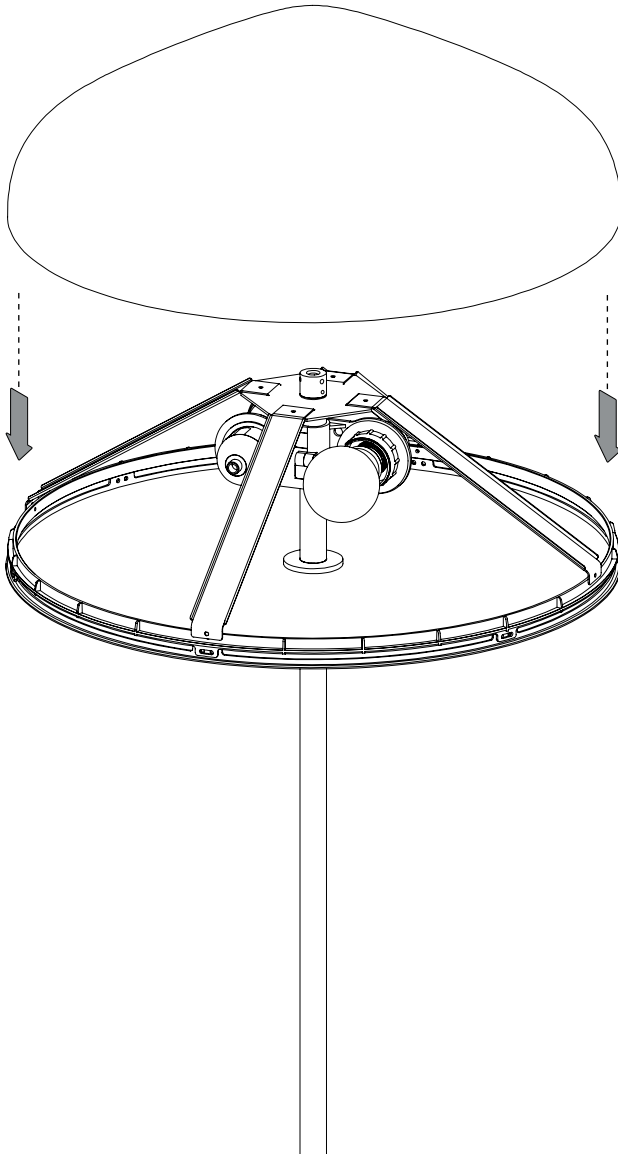
8.

Place the shade carefully back on the lamp and gently press it down until you feel a slight click. If the bottom edge of the shade and the diffuser are not aligned, the shade can be slightly adjusted by twisting the round shade connector at the top (see detail image below). Turn connector counterclockwise to lower the shade or clockwise to move it up. The connector is fixed in place with a small set screw. In order to adjust it you must loosen the set screw using the Allen key. After you have adjusted the connector, use the Allen key to tighten the set screw.



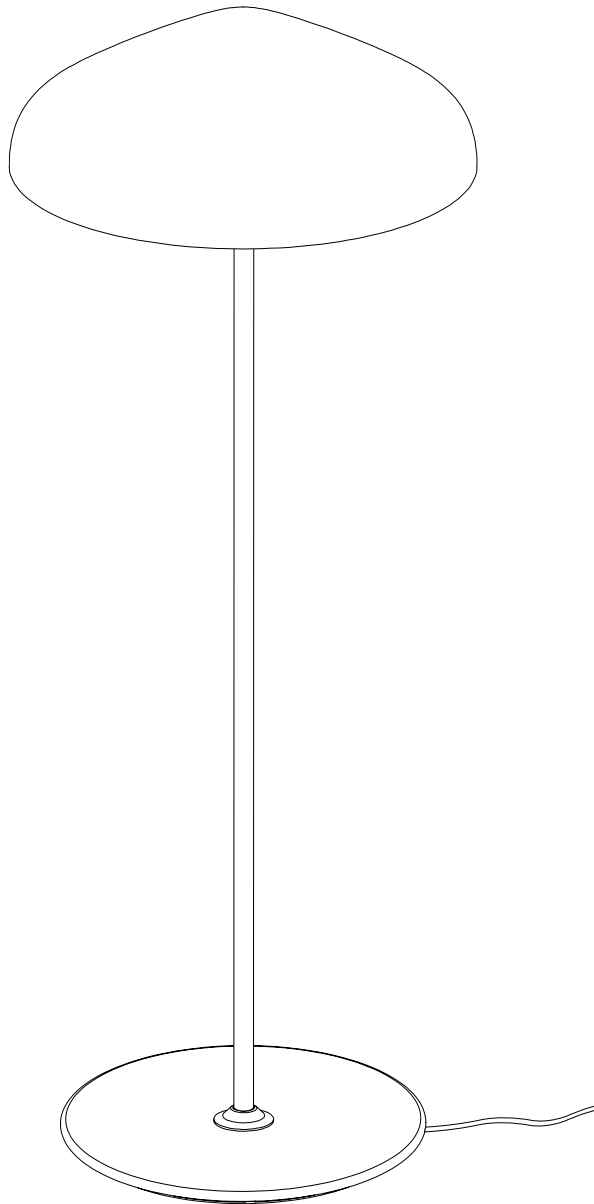
9.

Click the shade back onto the top. You will hear a slight 'click' sound.



10.

Plug the lamp into the power supply. The lamp is now ready for use.

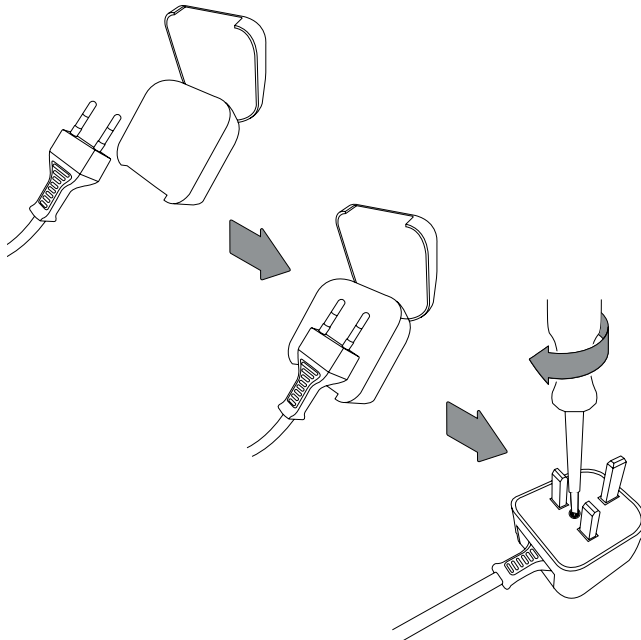


- UK CUSTOMERS ONLY -

Please note that for UK customers, the lamp will come supplied with a pre-mounted UK converter. The UK converter will be mounted over the existing EU plug, so the lamp is compatible and ready for use with UK sockets.

If not pre-mounted, please follow the below instruction.

Insert the EU plug into the converter provided. Close the converter over the EU plug with the pins secured in the internal spring clip contacts. Screw the converter together to ensure the UK plug is secure.



- CARE & MAINTENANCE -

Our Care & Maintenance offers guidance for optimal maintenance of your HAY product. It includes advice and instructions on cleaning and caring for specific materials to prolong the life of your lighting.



Please find our Care & Maintenance guide by scanning the QR code



You can find more relevant information on Pao Steel Floor Lamp by scanning the QR code

You can also find the same information here
hay.dk/downloads

Havnen 1 8700 Horsens Denmark
+45 3164 6000 / hay@hay.com

www.hay.com

09/01/2023

HAY