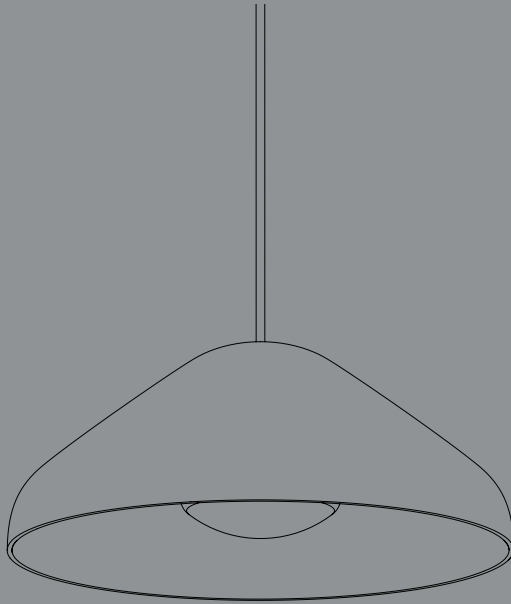


- INSTRUCTION MANUAL -

PAO GLASS PENDANT



DESIGN BY NAOTO FUKASAWA

HAY

- CARE AND MAINTENANCE -

TECHNICAL DATA

This product is supplied with an integrated LED light source. The expected lifespan of the LED light source is 25,000 hours, which equates to 8-10 years of general use. When the light source reaches its end of life, the whole luminaire should be replaced. For dimming, please check which wall mounted dimmers are compatible with the included LED driver.

FITTING TYPE | Integrated LED

POWER (W) | 10 W

COLOUR TEMPERATURE | 2600K warm white

ATTENTION

Ensure that the power supply to the circuit has clearly been turned OFF before installing the product. In some countries, electrical installation must be carried out by authorised electricians/contractors; please check with your local authority for guidance.

The product must not be modified in any way. HAY accepts no responsibility for any products that have been modified or tampered with. The external flexible cable or cord of this luminaire cannot be replaced. If the cord is damaged, the luminaire should be replaced. This lamp is designed for indoor use only.

NOTE | This equipment has been tested and found to comply with the limits for a Class B digital device, pursuant to part 15 of the FCC Rules. These limits are designed to provide reasonable protection against harmful interference in a residential installation. This equipment generates, uses and can radiate radio frequency energy and, if not installed and used in accordance with the instructions, may cause

harmful interference to radio communications. However, there is no guarantee that interference will not occur in a particular installation. If this equipment does cause harmful interference to radio or television reception, which can be determined by turning the equipment off and on, the user is encouraged to try to correct the interference by one or more of the following measures:

- Reorient or relocate the receiving antenna.
- Increase the distance between the equipment and receiver.
- Connect the equipment to an outlet on a different circuit to the one the receiver is connected to.
- Consult the dealer or an experienced radio/TV technician for help.

CAUTION | Changes or modifications to this unit not expressly approved by the party responsible for compliance could void the user's authority to operate the equipment. This device complies with part 15 of the FCC Rules. Operation is subject to the following two conditions:

- This device may not cause harmful interference.
- This device must accept any interference received, including interference that may cause undesired operation.

CARE AND MAINTENANCE

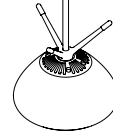
The product can be cleaned with a soft damp cloth and mild detergent, or a dry microfibre cloth. Do not use alcohol or any other solvents to clean the product and avoid using abrasive or rough sponges. Ensure that the power supply has been turned OFF before cleaning the product.

- PARTS -

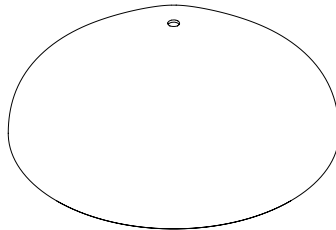
Ceiling Canopy
with Steel Bracket &
LED Driver



Light Source



Shade



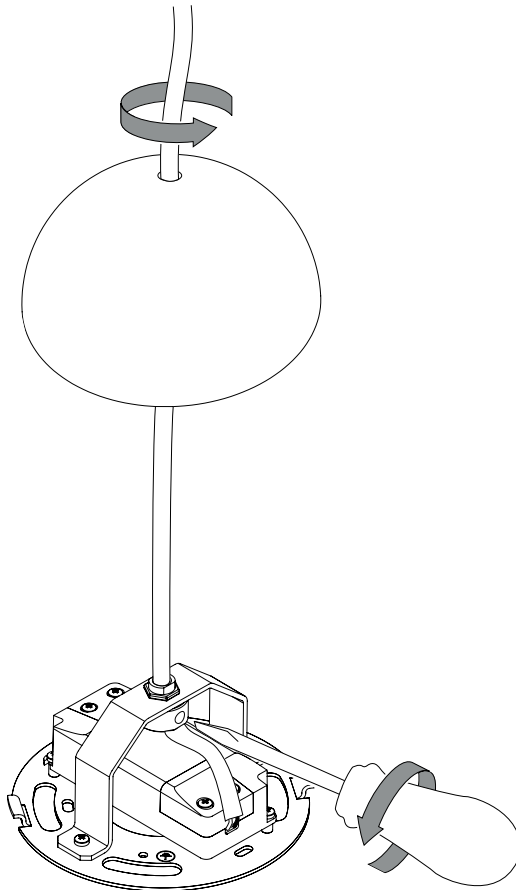
Please note that the parts shown are packaged in two separate boxes.

1.

Unpack all the components and check that you have received all the components listed.

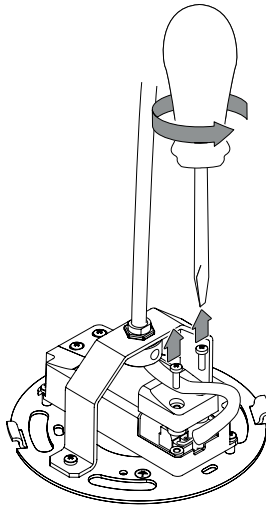
It is important to take extra care when assembling the Pao Glass Pendant. Follow the instructions carefully and only suspend the lamp from a reliable ceiling, where it is not in danger of falling down.

Make sure that the mains power is turned off before installing the lamp. To remove the plastic ceiling canopy, twist it counter-clockwise and pull away from the internal steel bracket. Loosen the cable grip with a screwdriver and carefully pull a section of the cable through the cord grip to allow for some movement while removing the cable from the LED driver.



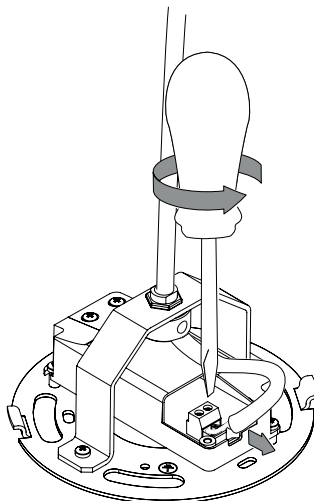
2.

Loosen the two screws holding the terminal cover and remove the terminal cover.



3.

Loosen the screws on the terminal block and remove the cable, pulling it through the cable grip.



4.

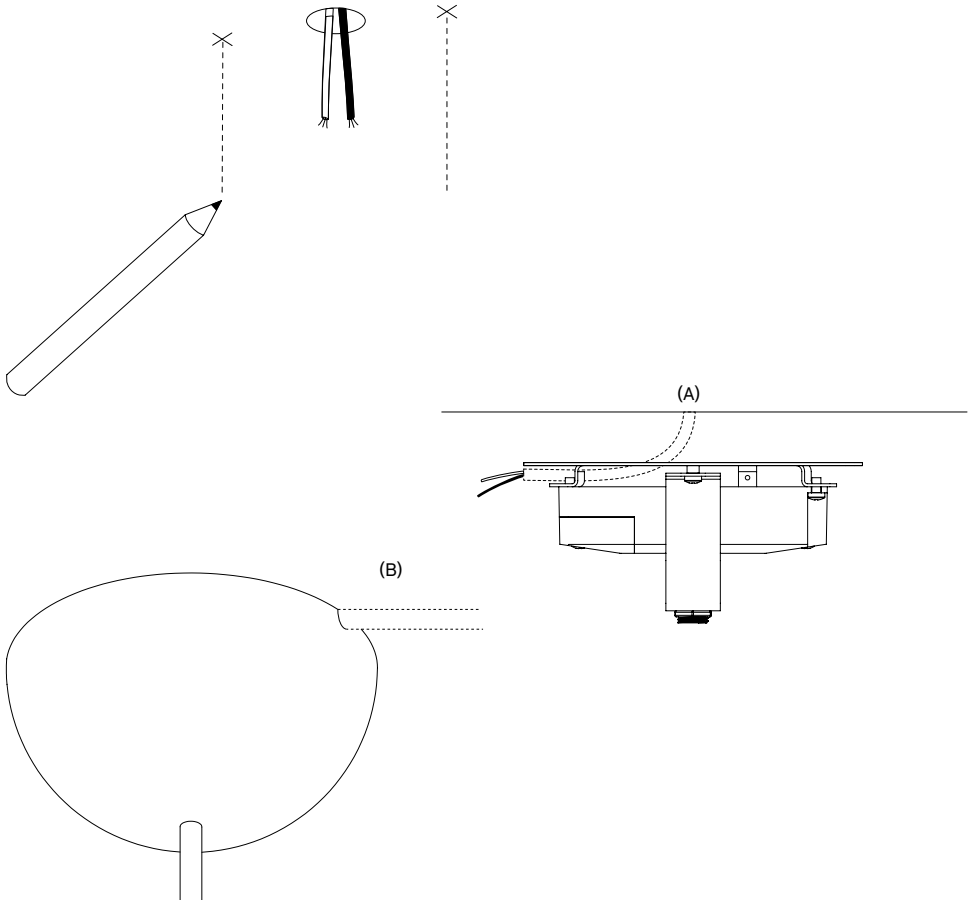
Use a pencil to mark fixing holes in the ceiling where the pendant is to be mounted.

If there is a junction box in the ceiling, then the steel bracket has slots which can be used in conjunction with standard European and US junction boxes. If relevant, the input mains cable can be inserted through the centre hole in the steel bracket and passed beneath the LED driver. The input mains cable can also be inserted through the mousehole on the side of the plastic ceiling canopy if needed.



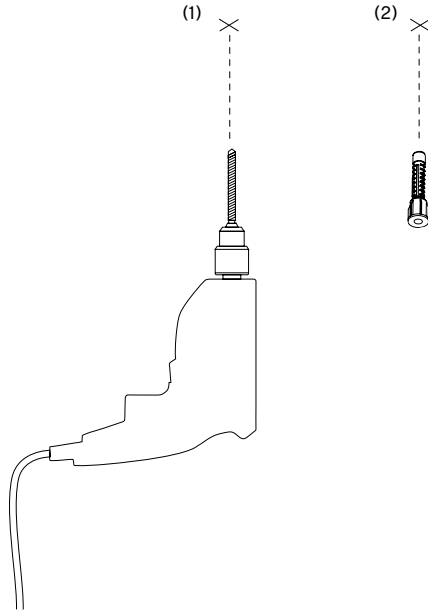
ATTENTION

Ensure that the mains power is OFF.



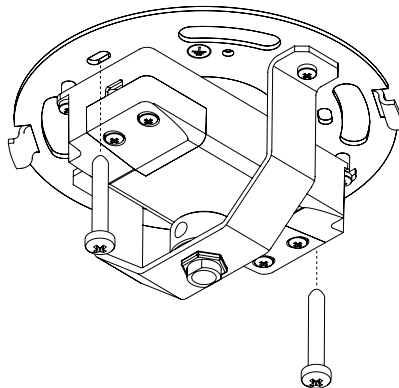
5.

Drill holes and insert wall plugs. Ensure you use the correct type of drill and anchor for the type of ceiling you are drilling into.



6.

Screw the ceiling bracket to the ceiling, using the appropriate screws for the wall plugs used.



7.

Trim the cable to the desired length, leaving 35mm/ 1.4 in of basic single insulation exposed for wiring and 3 mm / 0.12 in of exposed cable with no insulation. The cable is fitted with an internal fibre support cable for securing the weight of the glass shade. Leave approximately 50 mm / 2 in of the fibre support cable exposed for support.

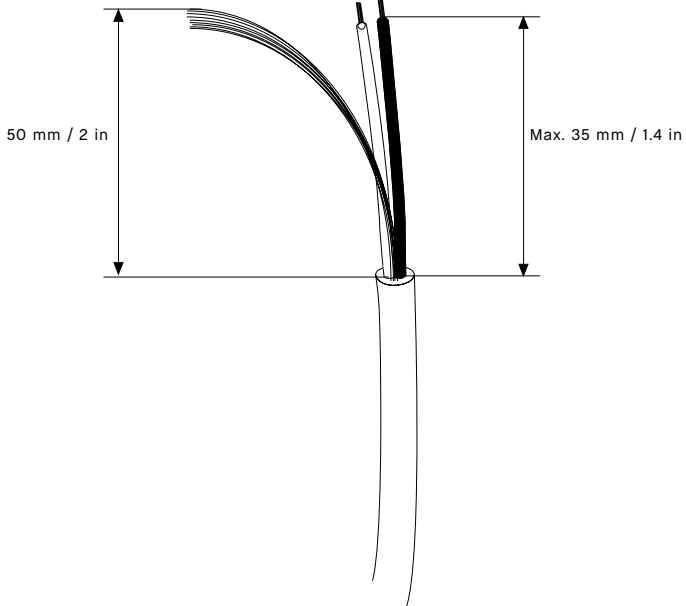


ATTENTION

Blue cable (LED -)

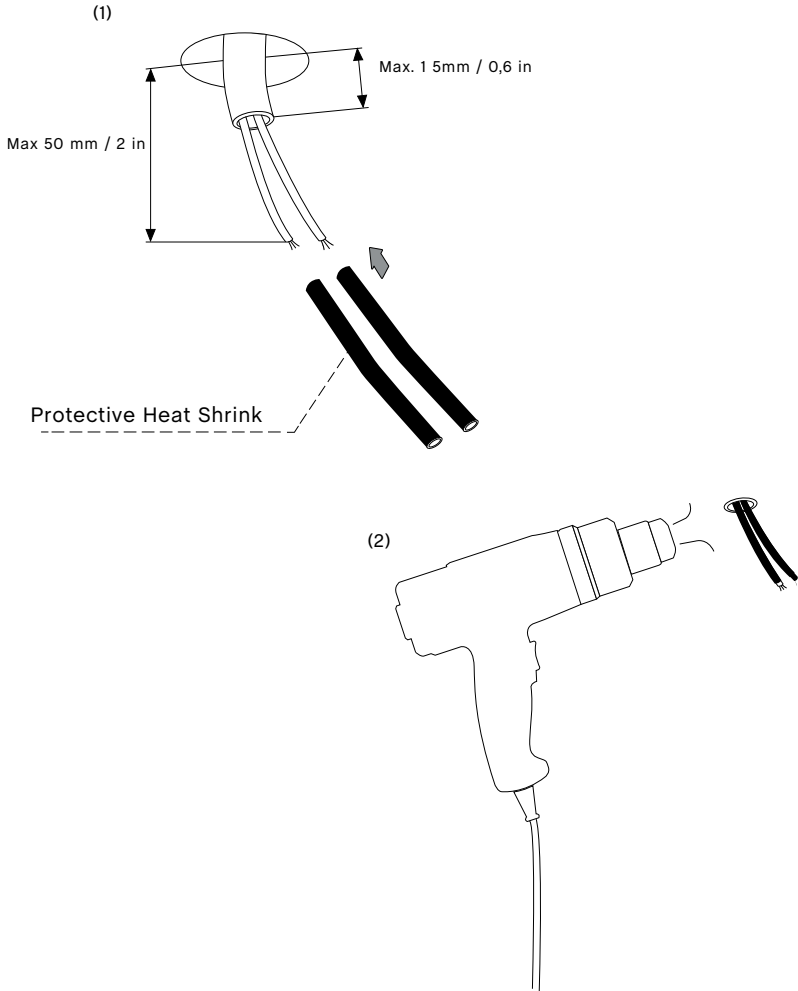
Brown cable (LED +)

Yellow fibre cable for support



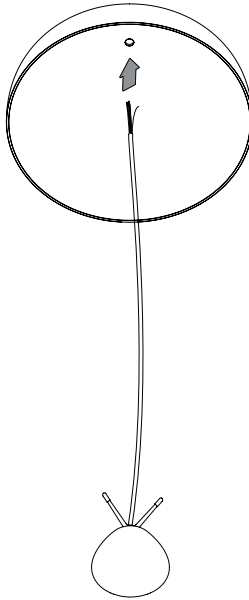
8.

It is advised that any wire exposed with just a single basic layer of insulation is covered with the protective heat shrink provided. (Two sleeves for the basic insulated wire and one sleeve for covering the opening of the source cable). A heat gun can be used to shrink and fix this protective insulation in place (2). The double insulated mains power cable that connects to the LED driver should have a diameter between $2 \times 0.75 \text{ mm}^2$ - $2 \times 1.5 \text{ mm}^2$.



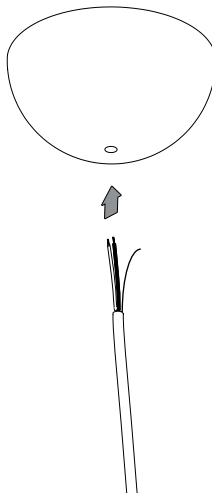
9.

Carefully unbox the glass shade and pass the cable from the light source through the hole at the top of the shade.



10.

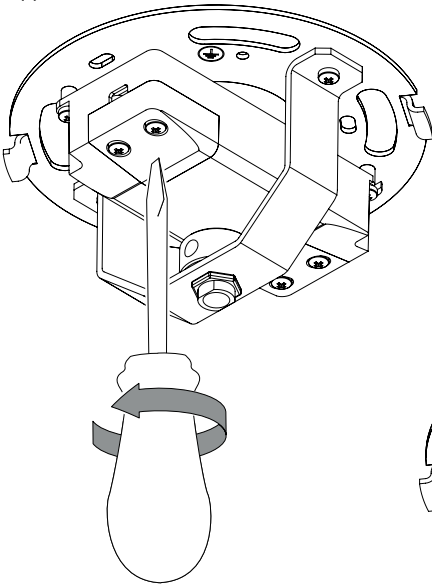
Insert the cable from the light source through the hole in the ceiling canopy.



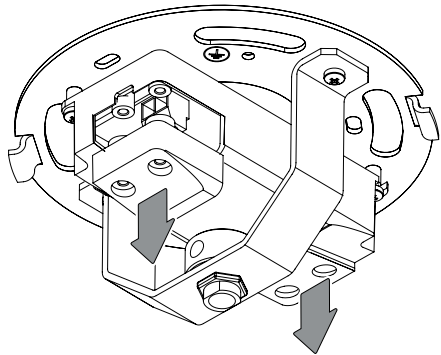
11.

Loosen the screws on the terminal covers on the LED driver and remove both terminal covers.

(1)

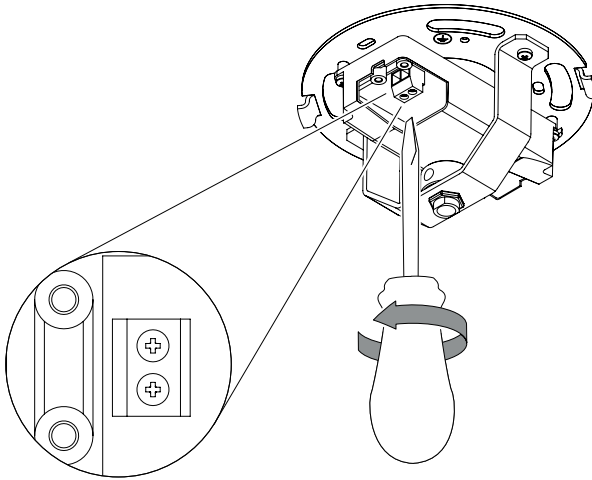


(2)



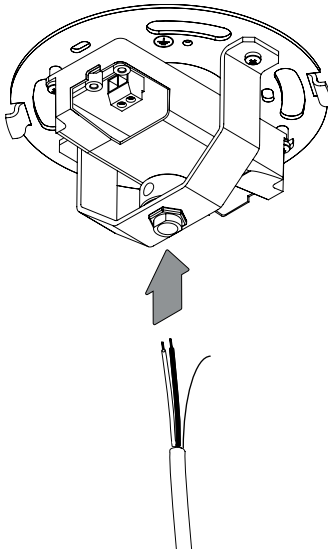
12.

Loosen the screws on the terminal blocks so that the cable can be inserted when wiring.



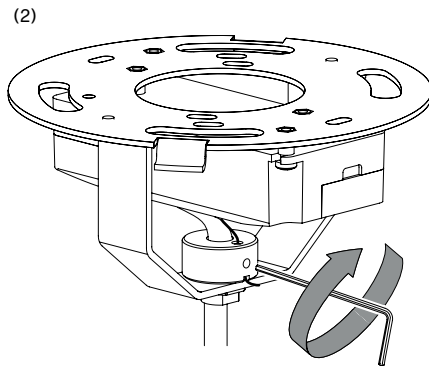
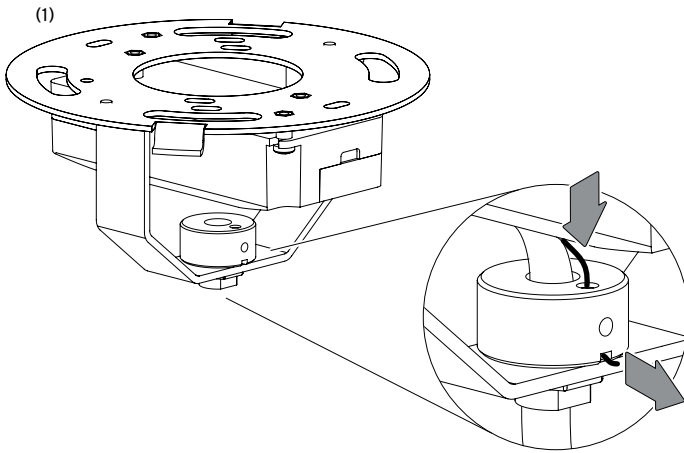
13.

Insert the cable from the light source through the cable grip.



14.

After inserting the cable through the cable grip, as shown in the previous step, locate the fibre support cable and feed it through the small hole next to the exit hole on the cable grip (1). Once the fibre support cable has exited the other side, as shown below, the smaller fixed screw on the side of the cable grip can be fastened with the provided hex key, securing the fibre support cable in place (2).



15.

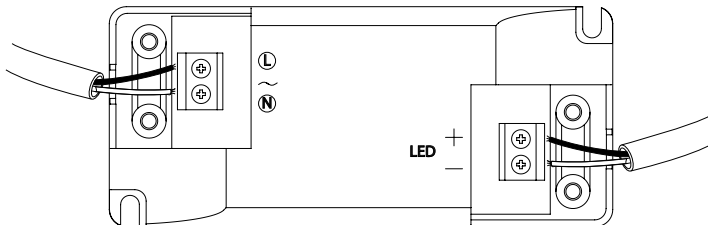
When wiring the LED driver, each cable is inserted into its respective slot in one of the two terminal blocks on the LED driver and then the corresponding screw is tightened to secure the cable in place. The cables from the light source are inserted into the right hand side terminal block on the LED driver, as shown below.

Insert the brown cable (+) into the positive (+) slot and the blue cable (-) into the negative (-) slot. The mains cables are inserted into the left hand side terminal block on the LED driver. The live mains cable into the live (L) slot and the neutral mains cable into the neutral (N) slot. Make sure that all the cables are fixed firmly in place and not in danger of coming loose.



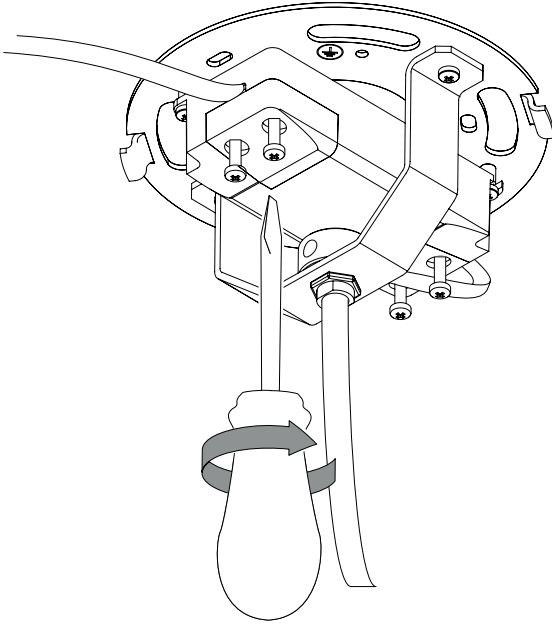
ATTENTION

Blue cable (LED -)
Brown cable (LED +)



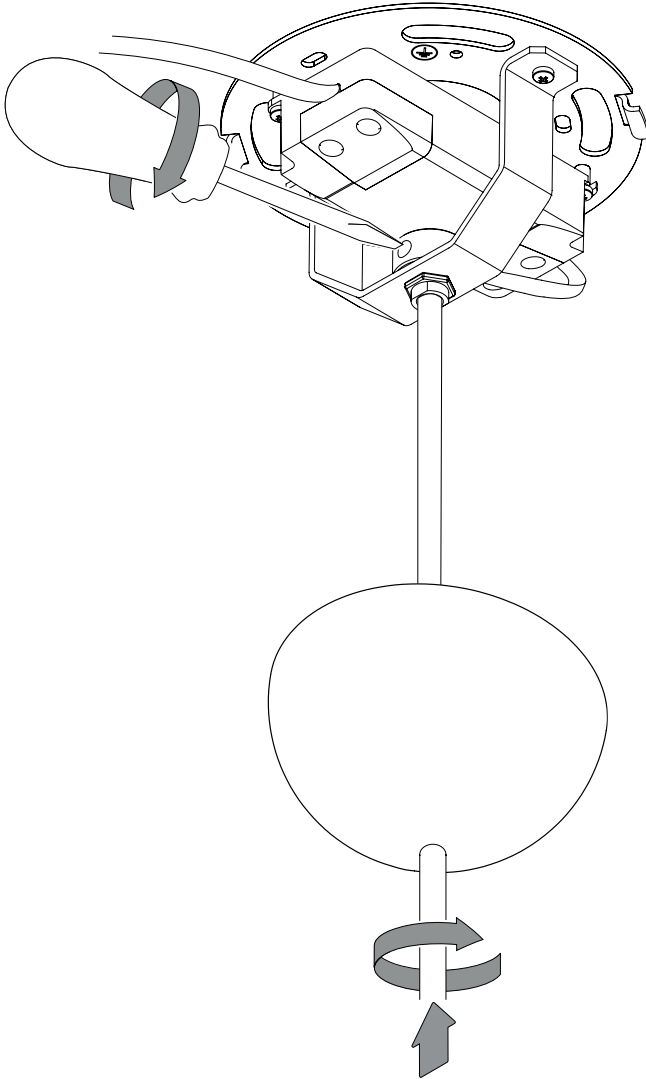
16.

Once all the cables are fixed firmly in place, the terminal covers can be screwed back onto the LED driver.



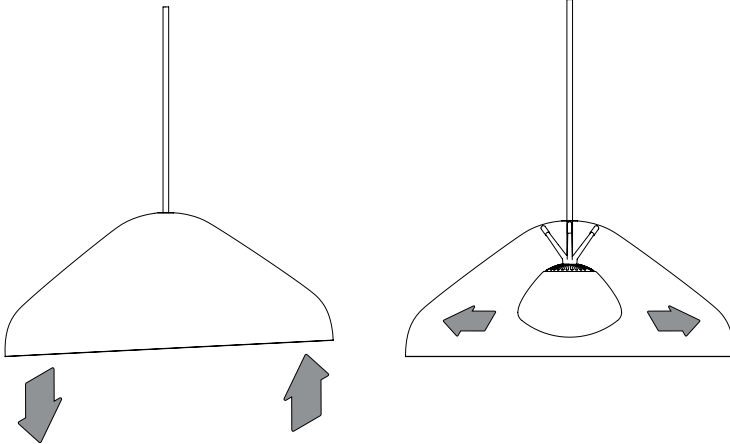
17.

Adjust the cable from the light source, making sure that it is not pulling on the LED driver or in way of the plastic canopy. Tighten the cable grip again and make sure that the cable cannot be moved. The plastic canopy can now be replaced on the bracket.



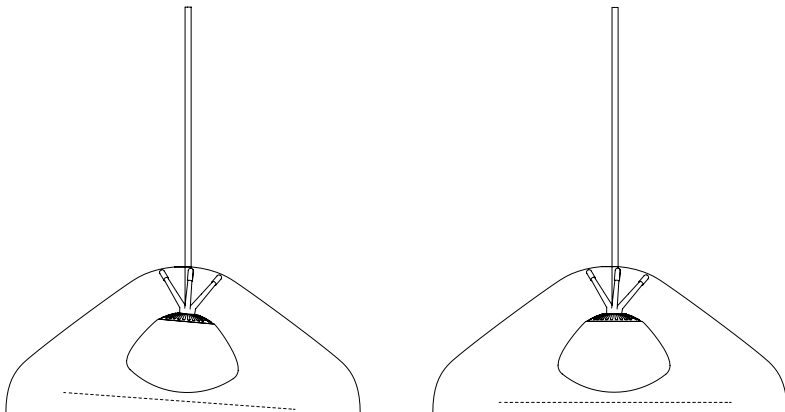
18.

Due to the handmade manufacturing of the glass shade some shades will have a slight difference in the distribution of weight, which can cause them to tilt slightly. If this happens, you should reposition the three supportive legs inside the shade, adjusting them until the shade is level.



19.

The light source features a ball and socket joint, which allows the glass diffuser to be visually aligned within the shade, if necessary. Carefully take hold of the glass diffuser and gently tilt it until it is visually level within the shade. The lamp is now ready for use.



- CARE & MAINTENANCE -

Our Care & Maintenance offers guidance for optimal maintenance of your HAY product. It includes advice and instructions on cleaning and caring for specific materials to prolong the life of your lighting.



Please find our Care & Maintenance guide by scanning the QR code



You can find more relevant information on Pao Glass Pendant by scanning the QR code

You can also find the same information here
hay.dk/downloads

Havnen 1 8700 Horsens Denmark
+45 3164 6000 / hay@hay.com

www.hay.com

09/01/2023

HAY