



PRODUCT SHEET

Umanoff Side Table
by Arthur Umanoff

Umanoff Side Table

BY ARTHUR UMANOFF

As relevant today as it was when first designed by Arthur Umanoff in the 1950s, the reissued Umanoff Side Table balances walnut and brass on its rounded top and tripod-inspired frame to create a table that challenges convention. Despite its decidedly small footprint, the versatile piece makes a big impact as a mid-century modern design for a glass of wine, mugs of coffee or a delicate vase. The Umanoff Side Table is available in two sizes.

PRODUCT OPTIONS

45



Walnut / Brushed Brass

60



Walnut / Brushed Brass

Umanoff Side Table, 60, Walnut / Brushed Brass, by Arthur Umanoff
Umanoff Side Table, 45, Walnut / Brushed Brass, by Arthur Umanoff



Umanoff Side Table

BY ARTHUR UMANOFF

TECHNICAL SPECIFICATIONS

PRODUCT TYPE
Side table

ENVIRONMENT
Indoor

DIMENSIONS
45:
H: 45 cm / 17,7"
Ø: 43/40 cm / 17/15,7"

60:
H: 60 cm / 23,6"
Ø: 43/40 cm / 17/15,7"

PRODUCTION PROCESS
CNC cut solid wood and hand-made solid brass components.

COLOUR
Oiled walnut and brushed brass with matte lacquer.

GLOSS
N / A

MATERIALS
Solid walnut and brass

WEIGHT
45: 2,21 kg / 4,87 lb
60: 2,44 kg / 5,38 lb

TEST
Max weight 5 kg / 11 lb

CERTIFICATIONS
N / A

PACKAGING TYPE
Brown box

PACKAGING MEASUREMENTS (H x W x D)

45
47,5 cm x 47,5 cm x 64 cm / 18,7" x 18,7" x 25,2"

60
47,5 cm x 47,5 cm x 79 cm / 18,7" x 18,7" x 31,1"

COLLI
1

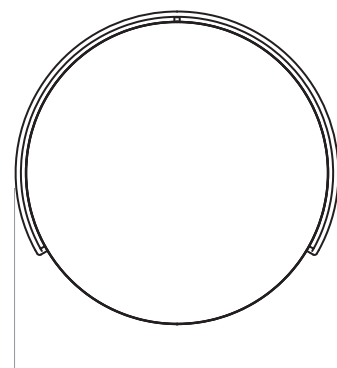
MATERIALS & MAINTENANCE
Please visit [menuspace.com](https://www.menuspace.com) for materials and care and maintenance instructions.

Umanoff Side Table

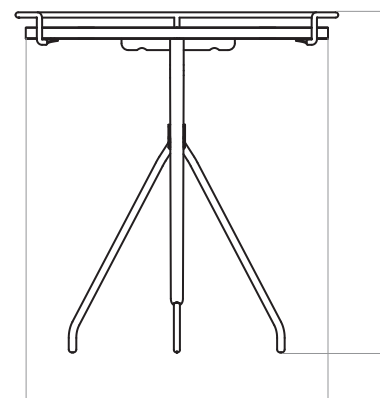
BY ARTHUR UMANOFF

TECHNICAL DRAWING

SIDE TABLE 45

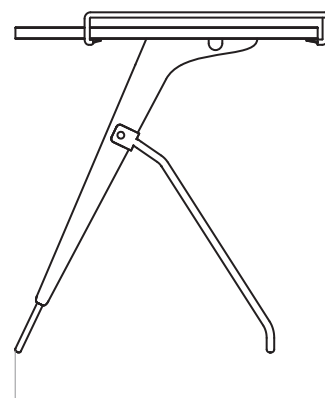


Ø: 43 cm / 17"



Ø: 40 cm / 15,7"

H: 45 cm / 17,7"



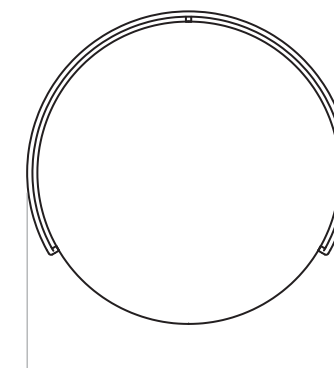
D: 41,4 cm / 16,3"

Umanoff Side Table

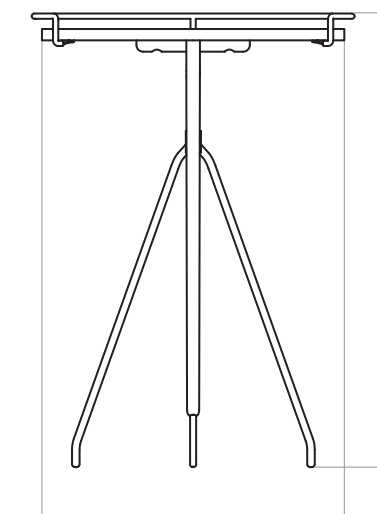
BY ARTHUR UMANOFF

TECHNICAL DRAWING

SIDE TABLE 60

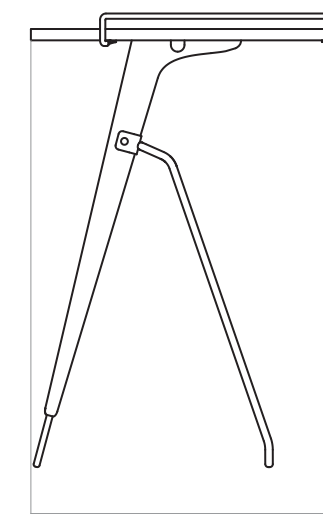


Ø: 43 cm / 17"



Ø: 40 cm / 15,7"

H: 60 cm / 23,6"



D: 41,5 cm / 16,3"