

tala[®]

USER GUIDE

The Muse

Thoughtful lighting, responsibly designed in London.

Thank you for making the switch to Tala.
Discover the full Tala family at tala.co.uk

PREPARATION

Please read instructions thoroughly before installation and keep them for future reference.

Improper assembly can undermine the safety and longevity of the product.

IMPORTANT

All packaging must be removed and bulb carefully screwed in before turning on.

The product is designed to work with the Tala 12V LED bulb provided. Do not use alternative bulb as product will not work effectively. For replacements, visit the Tala website or contact us for assistance.

Avoid turning on product in hot temperatures above 35°C. Doing so will reduce lumen output and bulb lifespan.

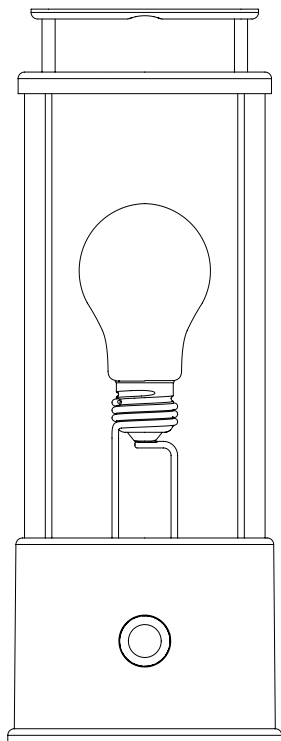
To reduce risk of scratches or marking, ensure bulb is fully housed in the glass case unless changing the bulb.

WARNING

The Muse is not suitable for recessed or enclosed fixtures or environments, and should be displayed as instructed.

Do not leave the product under direct sunlight while switched on.

Ensure all fixings are tightly sealed and do not allow internal components and surfaces to be exposed to water.



Scan me for more
technical help

SKU - FB-MUSE-PBL-CW-01
SKU - FB-MUSE-PBL-HB-01

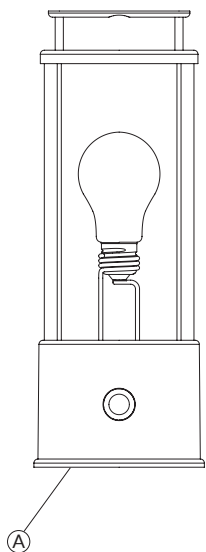
SKU - FB-MUSE-PBL-PG-01
SKU - FB-MUSE-PBL-PR-01

IP44

E27 12V

USB TYPE-C 5V

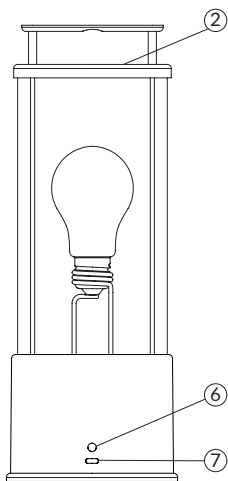
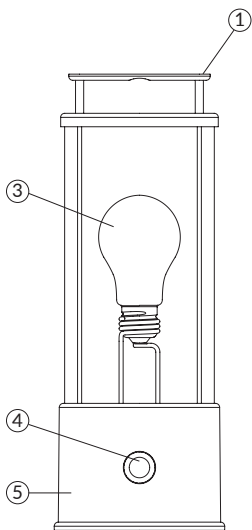
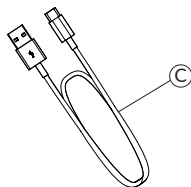
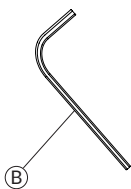
THE MUSE - PROVIDED COMPONENTS



(A) x1 The Muse luminaire with LED bulb

(B) x1 2mm Hex Key

(C) x1 USB Type-C Charging cable



(1) Handle

(2) Lid

(3) 12V LED bulb

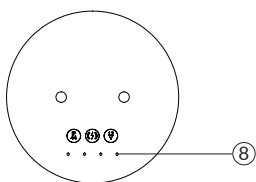
(4) Dimmer dial

(5) Base

(6) Battery charge level button

(7) USB Type-C power input

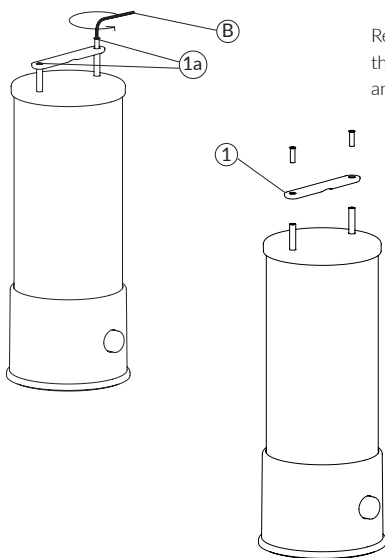
(8) Battery charge level Indicator lights



INITIAL SET UP

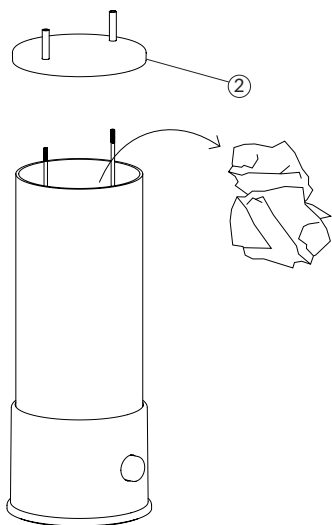
STEP 1

Release the two screws (1a) on the lid with the provided Hex key (B) and remove the handle (1).



STEP 2

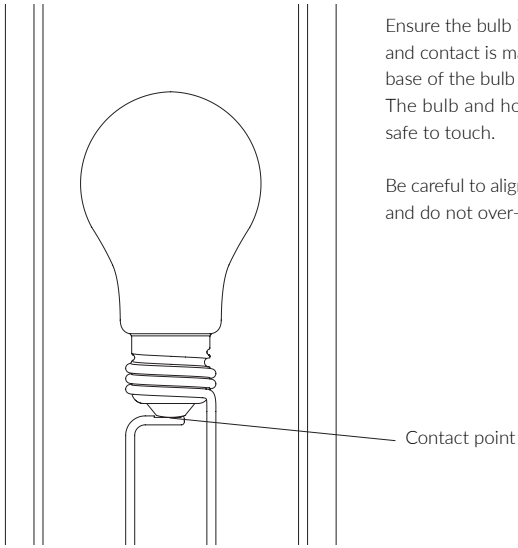
Lift off the lid (2) and carefully remove the packing material from inside.



STEP 3

Ensure the bulb is screwed in fully and contact is made between the base of the bulb and the housing. The bulb and housing are both safe to touch.

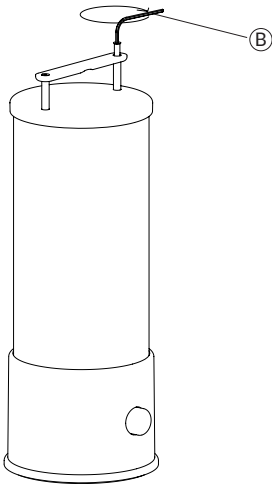
Be careful to align the bulb properly and do not over-tighten.

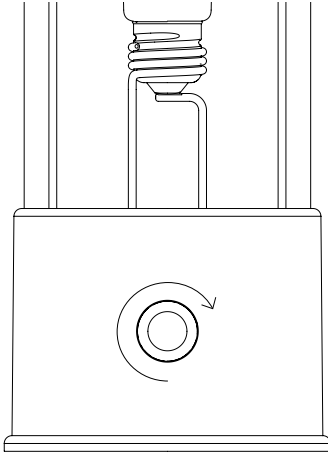


STEP 4

Return the lid and handle back into the original position.

Tighten the screws with the provided Hex Key (B) to secure the handle in place





STEP 5

To turn on, rotate the dial on the front of the lamp clockwise until the bulb lights up.

Adjust the dimmer for your desired light output.

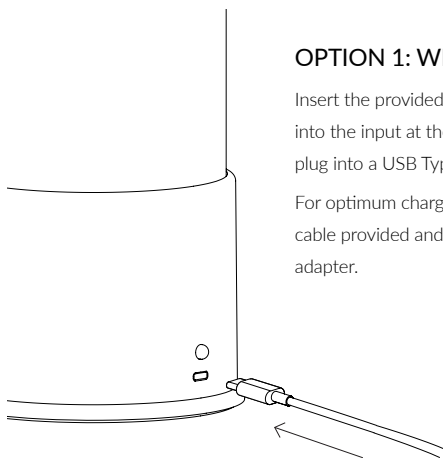
Dial the dimmer up for a cool white light, and dial down for a warm, ambient colour temperature.

CHARGING THE MUSE

OPTION 1: WIRED CHARGING

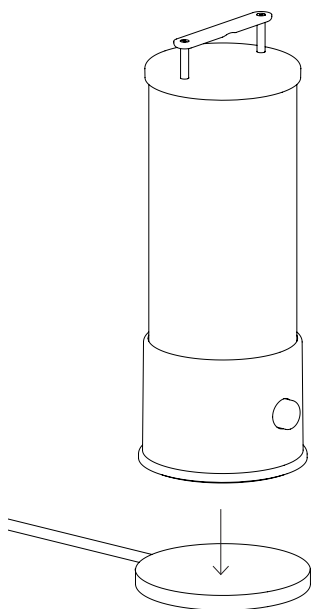
Insert the provided USB Type-C charging cable into the input at the back of the lamp base and plug into a USB Type-A adapter.

For optimum charging, use the 0.5m charging cable provided and a 2-Amp USB Type-A adapter.



OPTION 2: WIRELESS CHARGING

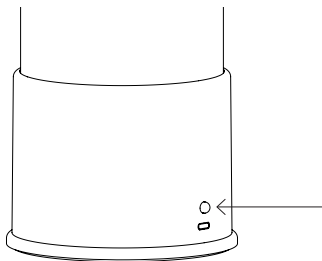
Place assembled product flat on a compatible wireless charging pad and ensure it is placed on the centre of the pad for effective charging.



When charging correctly, the battery charge level indicator lights ⑧ will start blinking.

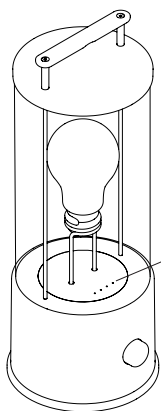
Total charging time is 8 hours wired or 10 hours wireless.

BATTERY LEVEL INDICATOR



Press the button on the back of the lamp to display the battery level indicators on the front of the lamp.

Press the button twice to turn the indicator lights off.



Blinking: <10% Battery remaining

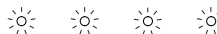
Solid: 25% Battery remaining



50% Battery remaining



75% Battery remaining



>75% Battery remaining

IMPORTANT

The Muse uses a Lithium-ion battery pack rated for 1000 full charge/discharge cycles. After this, the battery capacity may begin to noticeably degrade.

Tips to prolong the battery life are:

- Once fully charged, please remove from charger
- Avoid letting The Muse reach 0% battery, when the low battery indicator starts blinking, it should be recharged
- When not in use, store The Muse with between 25-50% battery (1-2 indicators on)
- During charging, make sure The Muse is uncovered to avoid over-heating
- Depending on your charger power output, The Muse may not always charge to 100% if the bulb is on at the same time

The battery, bulb, and glass can all be easily replaced. For replacement parts, please visit our website or contact us at customerservice@tala.co.uk

CARE AND CLEANING

We recommend cleaning with a soft dry cloth. Do not use abrasive materials as these will damage the finish of the product. Do not use alcohol or other solvents.

Extended use in wet or humid locations can cause condensation to form inside the glass tube. Please follow 'Initial Set-Up' steps to open the lid and allow condensation to evaporate. To avoid condensation, it is recommended that the lamp is not exposed to wet weather for long periods, such as left out in the rain overnight

WARRANTY AND AFTER-CARE

This product has a two-year warranty. If there appears to be a functional defect with the product during this time, please contact our team at customerservice@tala.co.uk.

REGISTER YOUR PRODUCT

Extend your warranty on this product to up to five years - free of charge.

Scan the QR code below to register:



THE MUSE

Ø12.5x33.8cm / Ø5x13.3in

IP44 | Suitable for Wet locations

5V/2A USB Type-C | 5W wireless

Battery: Li-ion 13.2Ah 3.7V 48.8Wh

Ta max. 35°C

Only use with Tala The Muse 12V bulbs

BULB


12V | 6W | 400lm | E27

35W replacement | 0.5A

CRI 97, R9 95 | 2000-2800K

Ø6 x 11cm | Flicker <1%



This symbol  indicates that electrical and electronic equipment (WEEE) should not be mixed with general household waste. For recovery and recycling, please take this product to a designated collection point where it will be accepted free of charge. Many retailers offer this instore. Disposing of this product correctly will help save valuable resources and prevent any potential negative effects on human health and the environment.

Join the Community

Instagram: @tala | Facebook: talaHQ | Pinterest: TalaLED | Tag: lighttoliveby

Tala Studios, 25B Vyner Street, London E2 9DG | hello@tala.co.uk

Tala Europe B.V, Bertus Aafjeshove 40, Nieuwegein 3437JN, Netherlands

Tala North America, Inc. P.O. Box 89 1051, Port Washington Blvd. Port Washington, NY 11050, USA

NOTE: This equipment has been tested and found to comply with the limits for a Class B digital device, pursuant to part 15 of the FCC Rules. These limits are designed to provide reasonable protection against harmful interference in a residential installation. This equipment generates, uses and can radiate radio frequency energy and, if not installed and used in accordance with the instructions, may cause harmful interference to radio communications. However, there is no guarantee that interference will not occur in a particular installation. If this equipment does cause harmful interference to radio or television reception, which can be determined by turning the equipment off and on, the user is encouraged to try to correct the interference by one or more of the following measures: –Reorient or relocate the receiving antenna. –Increase the separation between the equipment and receiver. –Connect the equipment into an outlet on a circuit different from that to which the receiver is connected. –Consult the dealer or an experienced radio/TV technician for help. Caution: changes or modifications not expressly approved by the party responsible for compliance could void the user's authority to operate the equipment.